

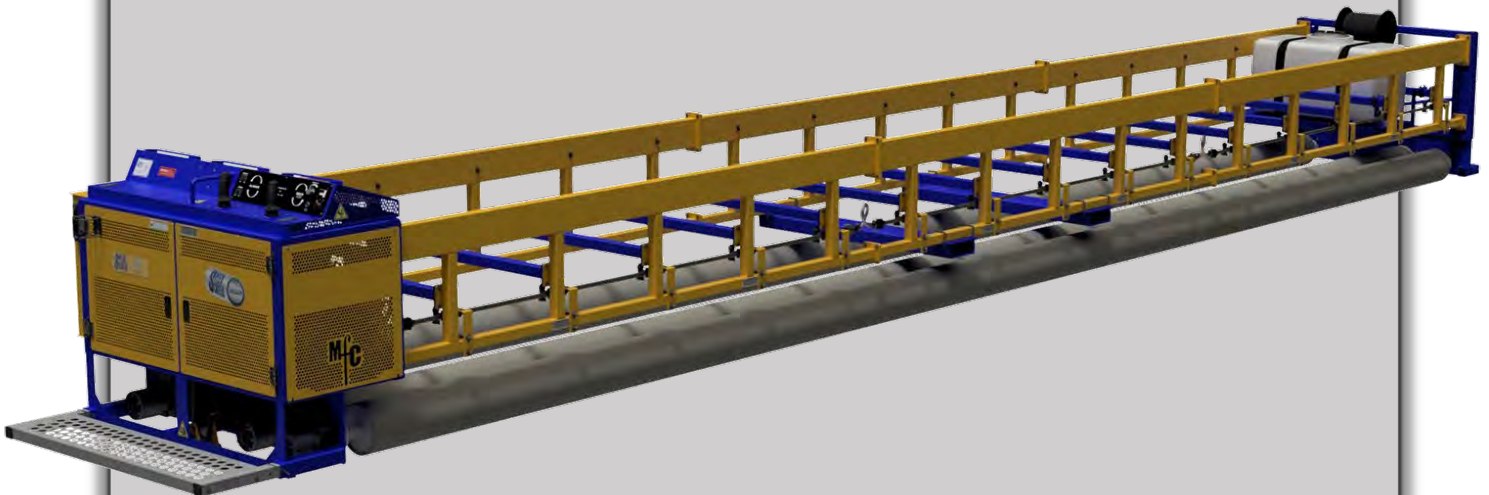


METAL FORMS CORPORATION  
SINCE 1909

**SPEED  
SCREED**®



# ROLLER SCREED OPERATION & PARTS MANUAL



# **SPEED SCREED**®



---

**METAL FORMS**  
SINCE

**CORPORATION**  
1909



# OPERATION & PARTS MANUAL

---

The following products are covered in this manual:

Part Number	Description
780-204	END FRAME ASSEMBLY POWER SECTION, ROLLER SCREED
780-205	END FRAME ASSEMBLY, IDLER END, ROLLER SCREED
780-005	EXTENSION ASSEMBLY, 5' ROLLER SCREED
780-006	EXTENSION ASSEMBLY, 6' ROLLER SCREED
780-007	EXTENSION ASSEMBLY, 7' ROLLER SCREED
780-008	EXTENSION ASSEMBLY, 8' ROLLER SCREED
780-009	EXTENSION ASSEMBLY, 9' ROLLER SCREED
780-010	EXTENSION ASSEMBLY, 10' ROLLER SCREED
780-020	ROLLER ASSEMBLY, 10'-20' (SET OF 3 ROLLERS & HARDWARE)
780-030	ROLLER ASSEMBLY, 21'-30' (SET OF 3 ROLLERS & HARDWARE)
780-100	SPRAY SYSTEM, TANK/PUMP ASSEMBLY
780-10X	SPRAY SYSTEM, BOOM ASSEMBLIES (5', 6', 7', 8', 9', 10')
780-305	WALKWAY ASSEMBLY, 5'
780-310	WALWAY ASSEMBLY, 10'

This manual was first issued July 2020

## **Legal Notice**

The information contained in this General Safety Guidelines Sheet was considered the best available at the date of issue. However, no warranty is made or implied that the information is accurate or complete. It is the user's obligation to evaluate and use this product safely and to comply with all applicable laws and regulations.

All information, specifications, and illustrations in this manual are subject to change without notice and are based on the latest information at the time of publication. No part of this manual may be reproduced or transmitted in any form or by any means, electronic or mechanical, for any purpose, without the express written permission of Metal Forms Corporation (MFC). MFC assumes no responsibility or liability for any errors or inaccuracies that may appear in this manual.



## Table of Contents

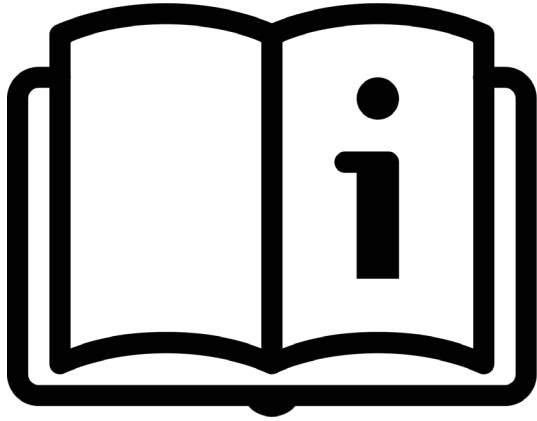
Table of Contents.....	2
Manual Information .....	4
Serial Number Identification.....	5
Spare/Replacement Parts Ordering Information .....	6
Machine Specifications .....	7
MACHINE .....	7
HYDRAULIC SYSTEM.....	7
ROLLER/SLINGER TUBES .....	7
SUPPORT FRAMES.....	7
SPRAY SYSTEM .....	7
Engine Specifications.....	8
Engine Wiring Diagram.....	9
26A CHARGING SYSTEM.....	9
Machine Dimensions.....	10
Safety Section .....	11
State/Federal Regulations .....	11
Safety Information .....	12
Safety Symbols .....	13
General Safety Guidelines .....	14
Machine Operation.....	18
Machine Basics .....	18
Loading/Unloading Your Machine.....	18
Startup Procedure .....	19
Controls/Features.....	20
Machine Operation.....	21
Starting Machine Operation.....	21
Stopping the Machine.....	21
Service & Adjustments.....	22
Height Adjustment on Slinger .....	22
Changing Length & Tubes .....	23
Maintenance.....	24
Daily Maintenance.....	24
Weekly Maintenance.....	24
Seasonal Maintenance.....	24
Parts.....	25
Full Assembly.....	25
Full Assembly – BOM.....	25
End Frame – Power Assembly .....	25
End Frame – Power Assembly (Continued) .....	27
End Frame – Power Assembly BOM .....	28
Engine Assembly .....	29
Engine Assembly BOM.....	30
Hydraulics Assembly.....	31
Hydraulics BOM .....	32
Hydraulic Assembly - Tank .....	33



Hydraulics Assembly – Pump/Motors .....	34
Hydraulics Assembly – Pump/Filter/Manifold/Cooler/Tank .....	35
Hydraulics Assembly – Pump/Filter/KS Manifold/Kick Stand .....	36
Hydraulics Assembly –Kick Stand .....	37
Hydraulics Assembly – Tandem Pump.....	38
Hydraulics Assembly – Proportional Control Manifold.....	39
Hydraulics Assembly – Motor .....	40
Hydraulics Assembly – Hydraulic Cooler.....	41
Hydraulics Assembly – Kickstand Manifold .....	42
Hydraulics Assembly – Filter.....	43
Fuel System Assembly.....	44
Fuel System BOM .....	45
Battery Assembly .....	46
Battery BOM.....	46
End Frame – Control Panel Assembly .....	47
End Frame – Control Panel BOM .....	48
Display Panel Assembly.....	49
Display Panel BOM .....	49
Platform Assembly .....	50
Platform BOM.....	50
End Frame – Lite (Idler) Assembly .....	51
End Frame – Lite (Idler) BOM.....	52
Support Frame Assembly.....	53
Support Frame BOM .....	53
Roller Assembly .....	54
Roller BOM.....	54
Spray System, Tank/Pump Assembly (Option) .....	55
Spray System, Tank/Pump Assembly BOM .....	55
Spray System, Tank/Pump Components Assembly (Option).....	56
Spray System Tank/Pump Components BOM .....	57
Spray System, Boom Assembly (Option) .....	58
Spray System, Boom Assembly BOM .....	59
Spray System, Boom Assembly BOM (Continued) .....	60
Walkway Assembly, 5' (Option) .....	61
Walkway Assembly, 5' BOM .....	61
Walkway Assembly, 10' (Option) .....	62
Walkway Assembly, 10' BOM .....	62
Walkway, 5' (Option) .....	63
Walkway, 5' BOM .....	63
Walkway, 10' (Option) .....	64
Walkway, 10' BOM.....	64
Walkway Ballast Assembly, 5' (Option) .....	65
Walkway Ballast Assembly, 5' BOM .....	65
Walkway Bracket Assembly (Option).....	66
Walkway Bracket Assembly BOM.....	66



## Manual Information



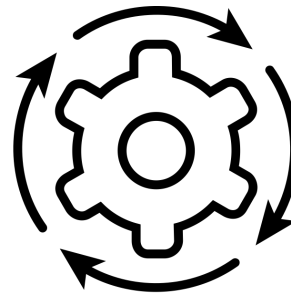
This manual is meant to provide safety, operation, and maintenance procedures for your Speed Scred Roller machine.

For your own safety and protection from personal injury, carefully read, understand, and observe the safety instructions described in the following sections. Keep this manual with the machine at all times. Additional manuals can be provided by contacting the dealer you purchased the machine from, or Metal Forms Corporation directly.

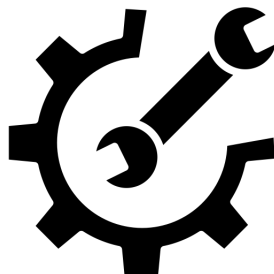
You can find a list of contents and corresponding page numbers for the following sections in this manual:



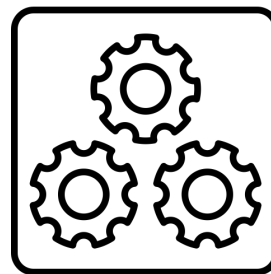
SAFETY



OPERATION



SERVICE



PARTS

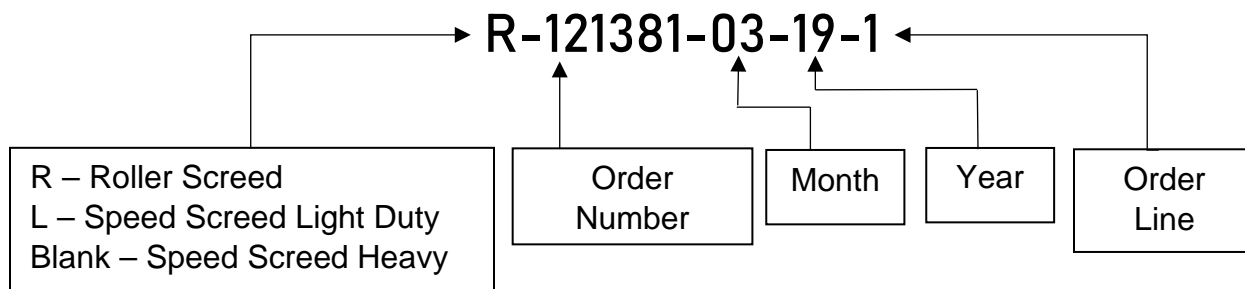
Your engine and battery are covered under their own manufacturer warranty and are not covered or manufactured by Metal Forms Corporation. Complete any required warranty information as specified by the manufacturer in their instructions, which you can find inside the control panel of the machine.

Any parts, operation, or repair manuals should be obtained by contacting the manufacturer directly.

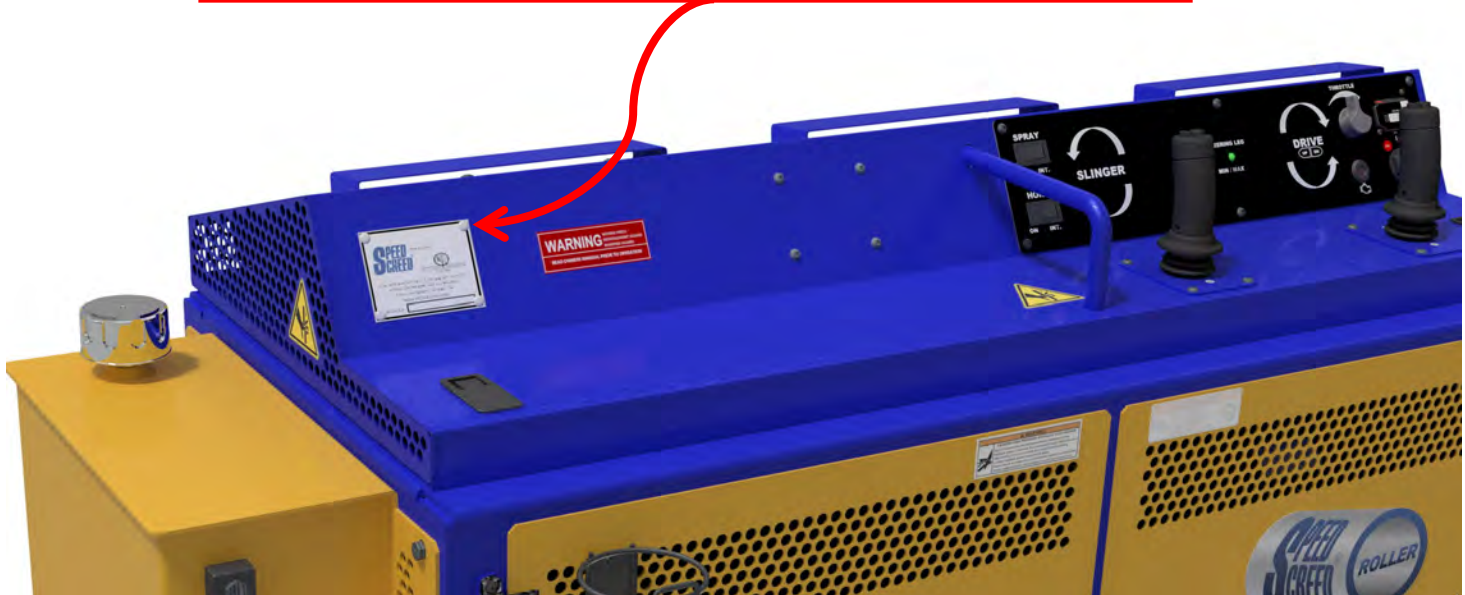


## Serial Number Identification

If you need to order parts, you will be asked for your machine serial number. The serial number found on the identification plate is a twelve-digit number and corresponds to the below breakdown:



Your Serial Tag can be found on the left side of the control panel.



Please note your machine serial number and information below:

Serial Number: \_\_\_\_\_

Date Purchased: \_\_\_\_\_

Purchased From: \_\_\_\_\_



## Spare/Replacement Parts Ordering Information

The Parts section of this manual gives detailed assembly drawings and Bill of Materials (BOMs) to aid in finding replacement parts for your machine.

Please note that all the information, specifications, and illustrations in this manual are subject to change without notice and are based on the latest information available at the time of printing.

To order your spare/replacement parts, please contact the dealer you purchased your machine from, or you can contact Metal Forms Corporation directly at 414-964-4550. You can also check for parts on our website at [www.metalforms.com](http://www.metalforms.com)

### FIND US ONLINE:



[www.metalforms.com](http://www.metalforms.com)



@metalforms



@metalforms



[www.youtube.com/MetalForms53212](http://www.youtube.com/MetalForms53212)





## Machine Specifications

### MACHINE

Machine weight (15'):	3,537 lbs. [1604kg]
Approximate weight per foot for additions:	119 lbs. [54kg]
Hydraulic Oil Reservoir (ISO 46):	10 gallons [37.85L]
Available machine lengths (in 1' increments):	10'-30' [3m-9.1m]
Fuel Reservoir:	12 gal. [45.42L]

### HYDRAULIC SYSTEM

Hydraulic motor attachment to each tube:	Direct drive via keyed bushing & bolt flange
Roller tube controls:	Independent electronic variable speed control to drive rollers & slinger roller
Drive roller speed:	0'-125' Per minute [0-.64mps]
Slinger roller speed:	150 rpm
Kickstand travel:	16" [406mm]
Kickstand extend speed:	1.2" per second [30.5 mm/s]
Kickstand retract speed:	1.8" per second [45.7 mm/s]

An electronically controlled tandem pump system drives the drive and slinger rollers independently. The kickstand is standard on all machines and is controlled via two buttons at the top of the drive roller joystick. It includes a monitoring light to indicate when the kickstand is fully extended / retracted.

### ROLLER/SLINGER TUBES

Diameter:	8" SCH.40 Pipe (Ø8.625") [Ø219.1mm]
Wall thickness:	0.322" [8.18mm]
Weight per foot:	28.55 lbs. [12.95kg]

### SUPPORT FRAMES

Frame Extension Size	Qty.	Horizontal Support Tubes	Weight
5' frame extension:	2		155 lbs. [70.3kg]
6' frame extension:	3		198 lbs. [89.8kg]
7' frame extension:	4		240 lbs. [108.8kg]
8' frame extension:	4		260 lbs. [117.9kg]
9' frame extension:	5		302 lbs. [137.0kg]
10' frame extension:	5		321 lbs. [145.6kg]

All frame sections are made from 2"x6"x1/8" and 2"x2"x1/8" steel tubes with 3/8" bolt plates. Operator work platform comes standard, and an Idler end platform and/or counterweight is available as an optional accessory.

### SPRAY SYSTEM

Tank capacity:	50 gal. [189.27L]
Nozzles per feet:	Approx. 0.5 (depending on machine length)
Hose attachment:	Included w/ hand spray nozzle & hose reel



## Engine Specifications

### HONDA GX690 22hp V-TWIN

Engine Type	Air-cooled 4-stroke OHV
Bore x Stroke	78 mm X 72 mm
Displacement	42 in <sup>3</sup> [688 cm <sup>3</sup> ]
Net Power Output*	22.1 bhp [16.5 kW] @ 3,600 rpm
Net Torque	35.6 lb-ft [48.3 Nm] @ 2,500 rpm
PTO Shaft Rotation	Counterclockwise [from PTO shaft side]
Compression Ratio	9.3:1
Lamp/Charge coil options	26A
Carburetor	N/A
Ignition System	Full transistorized ignition
Starting System	Shift Type
Lubrication System	Full Pressure
Governor System	Electronic (STR Governor)
Air cleaner	Paper
Oil Capacity	2.1 US qt [2.0L]
Fuel	Unleaded 86 octane or higher
Dry Weight	104.7 lbs. [47.5 kg]
Length	13.1" [333 mm]
Width	19.0" [483 mm]
Height	17.2" [438 mm]

\*The power rating of the engine indicated in this document is the net power output tested on a production engine for the engine model and measured in accordance with SAE J1349 at 3,600 rpm (net power) and at 2,500 rpm (max net torque). Mass production engines may vary from this value. Actual power output for the engine installed in the final machine will vary depending on numerous factors, including the operating speed of the engine in application, environmental conditions, maintenance, and other variables.

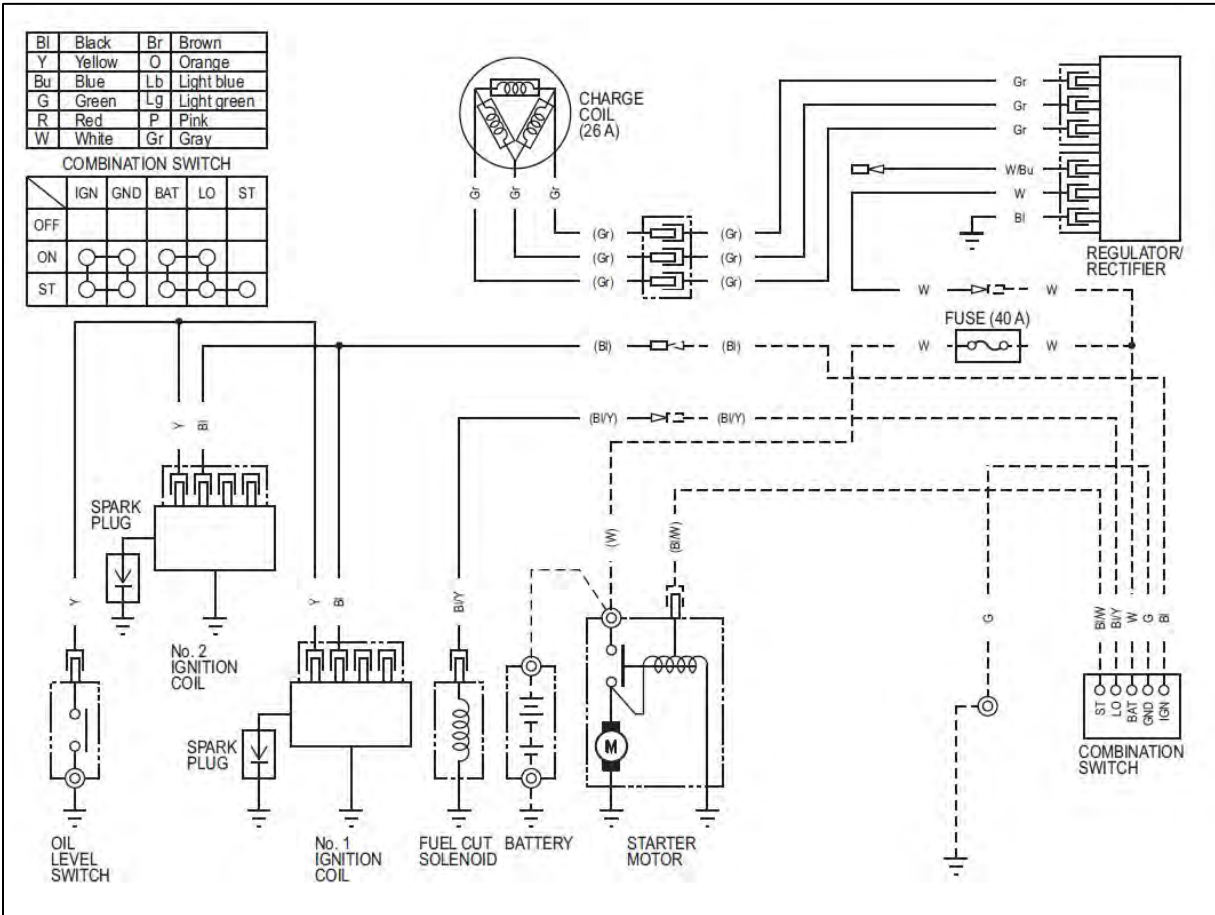
Specifications are subject to change without notice.





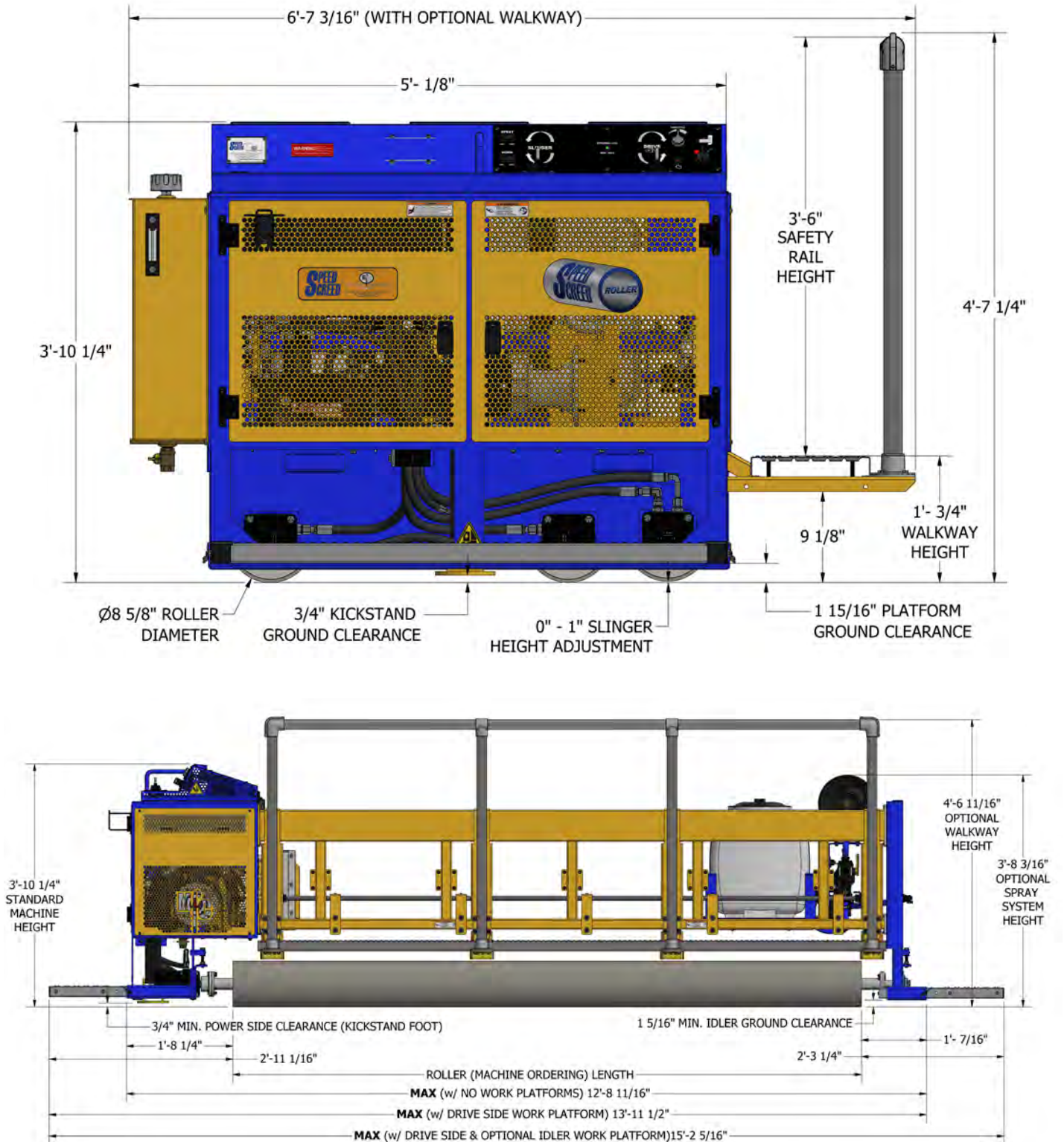
# Engine Wiring Diagram

## 26A CHARGING SYSTEM





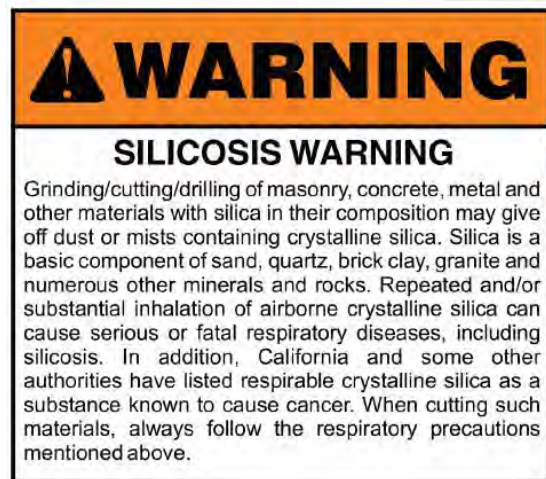
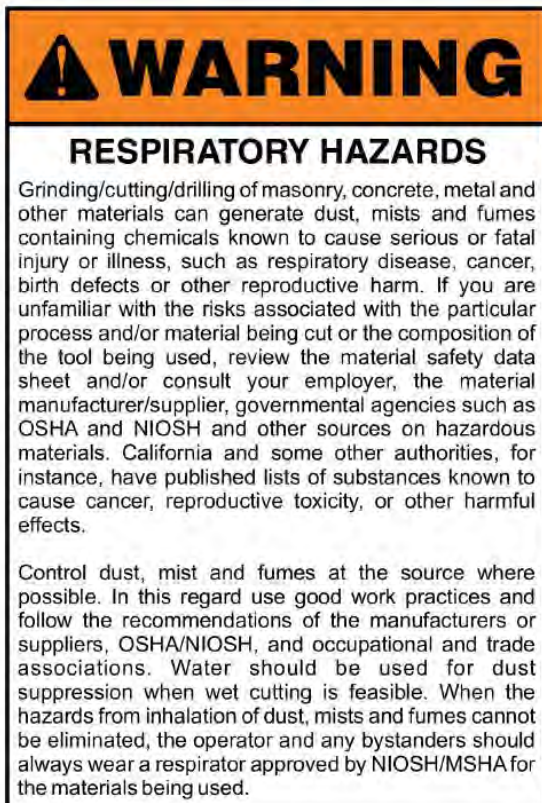
## Machine Dimensions





## Safety Section

### State/Federal Regulations





SAFETY

## Safety Information



Make sure to read this manual in its entirety **BEFORE** operation or servicing of this machine. Safety precautions must be followed at all times when operating this equipment. Failure to read and understand the safety messages and operating instructions could result in injury to yourself and others.

## Safety Warnings

All occupants and personnel should be alerted to the potential hazards indicated by the product safety labeling on this unit.

The following conventions are used to indicate and classify precautions and on product safety labeling. Failure to observe precautions could result in injury to people or damage to property.

### Safety Warnings



**This is the safety alert symbol. It is used to alert you to potential personal injury hazards. Obey all safety messages that follow this symbol to avoid possible injury or death.**



“Danger” indicates an imminently hazardous situation, which, if not avoided, will result in death or serious injury.



“Warning” indicates a potentially hazardous situation, which, if not avoided, could result in death or serious injury.



“Caution” indicates a potentially hazardous situation, which, if not avoided, may result in minor or moderate injury.










“Notice” indicates an important topic/practices that are not directly related to personal injury or accidents.



## Safety Symbols

Potential hazards associated with the operation of this equipment will be referenced with hazard symbols which may appear throughout this manual in conjunction with safety notes.

SYMBOL	SAFETY HAZARD
	Lethal exhaust gas hazards
	Explosive fuel hazards
	Burn hazards
	Rotating parts hazards
	Crush hazards
	Hydraulic fluid hazards
	Safety harness warning



## NOTICE

### General Safety Guidelines

- Operator concentration is always an important factor when using mechanical equipment and anything that distracts the operator during operation is a clear and present danger.
- Familiarity and proper training are required for the safe operation of all Metal Forms Corporation™ equipment. Equipment operated improperly or by untrained personnel can be dangerous. All operators **MUST** read both the General Safety Guidelines Sheet and the Speed Screed manual prior to operation.
- **NEVER** allow anyone to operate this equipment without proper training. People operating this equipment must be familiar with all the risks and hazards associated with it.
- **DO NOT** operate any equipment while under the influences of drugs, alcohol, or medications
- Check machine **EACH DAY** before use to ensure it is proper running condition.
- If any parts are worn or damaged, fix or replace **IMMEDIATELY**.
- **ALWAYS** use OEM replacement parts.
- When equipment is not in use, remove the key and be sure to store it in a clean and dry environment, out of reach of unauthorized personnel and children.



### WARNING

- **ALWAYS** keep doors, covers, and heat shields attached/closed when the engine is running.
- **DO NOT** place hands or fingers inside the engine compartment when engine is running.
- Keep fingers, hands, hair, and clothing away from all moving parts to prevent injury.
- **DO NOT** remove the engine oil drain plug while the engine is hot. Hot oil can rapidly flow out of the oil tank and severely scald or burn any persons in the general area of the machine.







## CAUTION

- **NEVER** touch the hot exhaust manifold, muffler, or cylinder. Allow these parts to cool before servicing equipment.



## NOTICE

- **NEVER** run engine without an air filter or with a dirty air filter. Severe engine damage may occur. Service air filter frequently to prevent engine malfunction.
- **NEVER** tamper with the factory settings of the engine, engine governor, or control levers. Damage to the engine or equipment can result if operating in speed ranges above the maximum allowable.

## DANGER

- **DO NOT** start the engine near spilled fuel or combustible fluids. Fuel is extremely flammable, and its vapors can cause an explosion if ignited.
- **ALWAYS** refuel in a well-ventilated area, away from sparks and open flames.
- **ALWAYS** use extreme caution when working with flammable liquids.
- **DO NOT** fill the fuel tank while the engine is running or hot.
- **DO NOT** overfill tank. Spilled fuel could ignite if it comes in contact with hot engine parts or sparks from the ignition system.
- Store fuel in appropriate containers, in well-ventilated areas and away from sparks and flames.
- **NEVER** use fuel as a cleaning agent.
- **DO NOT** smoke around or near the equipment. Fire or explosion could result from fuel vapors or if fuel is spilled on a hot engine.





## **DANGER**

- **DO NOT** drop the battery. There is a possibility that the battery will explode.
- **DO NOT** expose the battery to open flames or sparks. The battery contains combustible gases and liquids. If these gases and liquids come in contact with a flame or spark, an explosion could occur.



## **WARNING**

- **ALWAYS** wear safety glasses when handling the battery to avoid eye irritation. The battery contains acids that can cause injury to the eyes and skin.
- Use well-insulated gloves when picking up the battery.
- **ALWAYS** keep the battery charged. If the battery is not charged, combustible gas will build up.
- **DO NOT** charge battery if frozen. Battery can explode. When frozen, warm the battery to at least 61°F (16°C).
- **ALWAYS** recharge the battery in a well-ventilated environment to avoid the risk of a dangerous concentration of combustible gases.
- If the battery liquid (dilute sulfuric acid) comes in contact with clothing or skin, rinse skin or clothing immediately with plenty of water.
- If the battery liquid (dilute sulfuric acid) comes in contact with eyes, rinse eyes immediately with plenty of water and contact the nearest doctor or hospital to seek medical attention.
- When using the optional walkway, always use a safety harness to prevent falling into moving rollers





 **CAUTION**

- **ALWAYS** disconnect the negative battery terminal before performing service on the equipment.
- **ALWAYS** keep battery cables in good working condition. Repair or replace all worn cables.
- Walk around the machine before starting it to see if any items are worn, damaged, leaking, etc. that may make the machine dangerous to operate.
- Stop and inspect the equipment if you strike an object. If necessary, make repairs before restarting.
- **ALWAYS** check that all controls are functioning properly immediately after start-up.
- **DO NOT** operate machine unless all controls operate correctly.



OPERATION



## Machine Operation

### Machine Basics

The Speed Screenshot™ Roller (SSR) is a variable length triple tube roller system that allows users to easily swap rollers and extension frames between jobs that require different pour widths. With rollers and extensions available from 10' to 30' in single foot increments, almost any job can be easily handled with this machine.

This machine comes with standard safety features such as the kickstand (steering leg) and drive lever hydro-back, which returns the drive lever to neutral when the operator steps away from the machine. It also available with an optional idler end weight pack to offset the engine end weight differential, or a spray system to keep your roller tubes clean during operation.

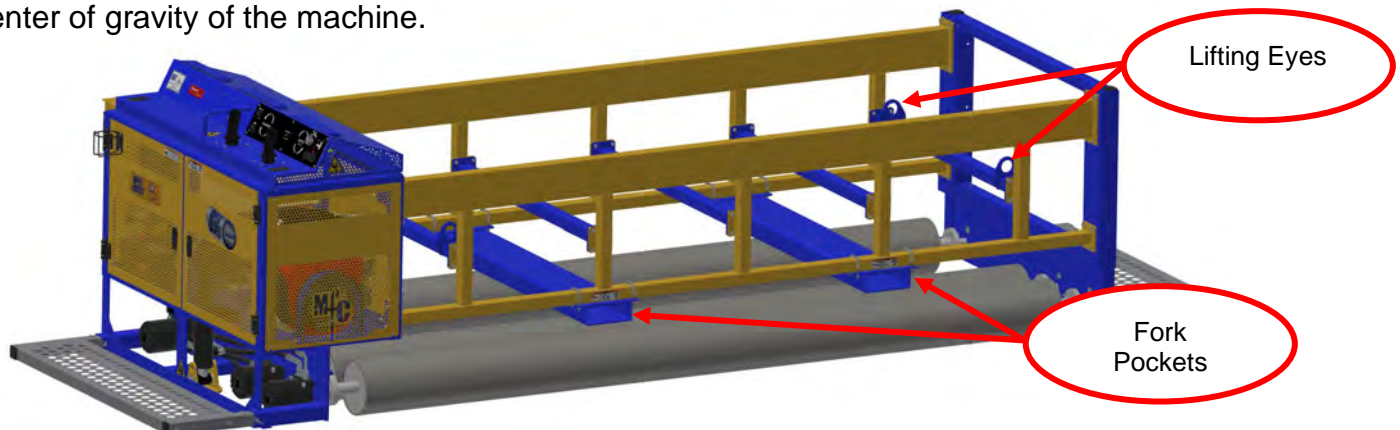
Metal Forms Corporation™ manufactures these machines with state-of-the-art equipment and processes, and only sources the highest quality materials and components to ensure a long life out of your investment.

Our one-of-a-kind design utilizes a variable volume, closed loop dual piston pump and a remote-mounted muffler to allow for a fully enclosed power side end frame. This design simplifies the system, reduces the number of components, and allows for easier maintenance and clean-up every time you use the machine.

### Loading/Unloading Your Machine

When loading and unloading your machines from a flat-bed or trailer, always use either the (4) provided lifting-eyes with shackles and chains rated above the maximum weight of your machine or the provided adjustable fork pocket assemblies.

The lifting eyes are attached to the extension frame and can be moved to adjust the picking points for different length machines. The fork pockets can be adjusted by loosening the square U-bolts. Always place the picking support bars or fork pockets at an equal distance from the center of gravity of the machine.





## Startup Procedure

### NOTICE

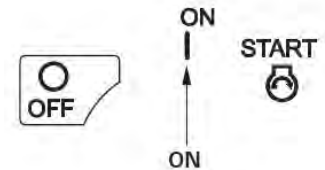
**BEFORE** you start the machine, refer to the images on the following page for location and identification of the operational and visual controls pertaining to the operation of the machine.

Once you have identified all locations, check the following prior to start-up:

1. Engine oil level
2. Hydraulic tank oil level
3. Fuel level in gas tank
4. The fuel valve is in the open position
5. Condition of all air and oil filters
6. Perform/verify daily maintenance procedures (see [Maintenance Section](#) under the *Service and Adjustments* heading)
7. Verify the slinger roller lever is in the neutral position

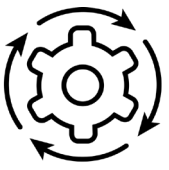
After your thorough inspection of the above-mentioned items you are ready to start the machine. Follow the below procedure for starting:

1. Turn the ignition switch key clockwise to the ON position.
2. Turn the engine switch to the START position and immediately release the key when the engine starts.
3. Let the engine and hydraulic components warm up for 5 minutes before operating the machine.

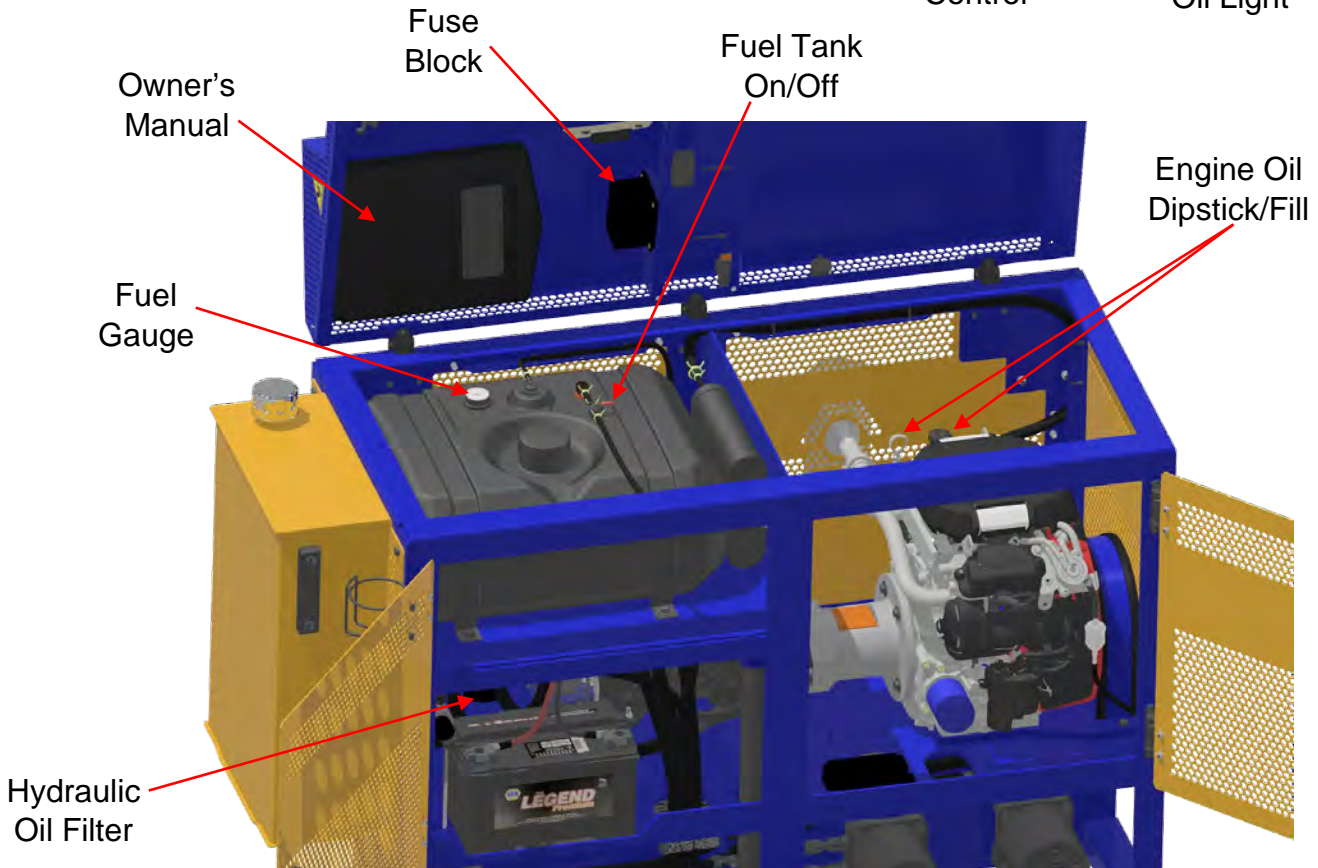
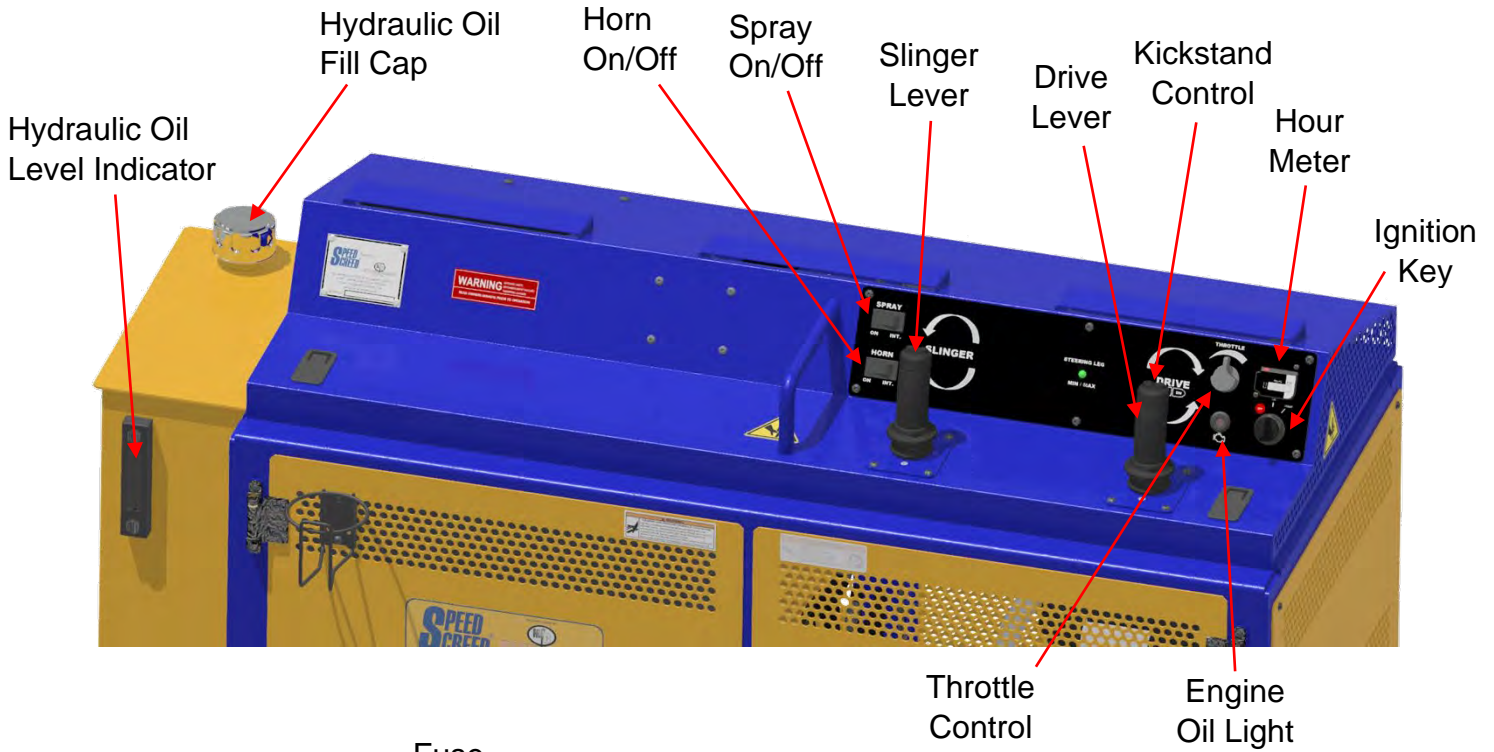


### NOTICE

**NEVER** hold the key in the start position for more than 5 seconds. This can damage the starter or the engine and should always be avoided. If the engine fails to start, release the key and wait at least 10 seconds before operating the starter again.



# OPERATION Controls/Features





## Machine Operation

### Starting Machine Operation

1. Once you have followed the Startup Procedure outlined above, increase the throttle to approximately 80%-90% of the maximum RPM.  
**NOTE:** The machine should never be in operation with the throttle set less than 75%.
2. To start paving in the forward direction, push the drive & slinger joysticks to the forward position. The further forward you push, the faster the machine & slinger tube will move.  
**NOTE:** If you release the drive lever, the machine will spring-return to the neutral position. If you release the slinger lever, it will maintain its rotation.
3. To start paving in the reverse direction, pull the drive & slinger levers down to the reverse position. The further back you pull, the faster the machine & slinger tube will move.  
**NOTE:** The forward position of the slinger joystick will move the tube counterclockwise. In order to make the drive and slinger tubes spin in the same direction, one lever needs to be up while the other is down.
4. To operate the steering leg to steer the machine, push the LEFT button on the drive joystick until the machine lifts off the forms or paving surface and continue to travel in the direction of correction. Once the machine is straightened out, press the RIGHT button on the drive joystick until the machine is back onto the formwork or paving surface.  
**NOTE:** When the steering leg is fully retracted the STEERING LEG MIN/MAX light will turn on for a few seconds. As a safety precaution when the machine is in motion the steering leg functionality is disabled.



**ALWAYS** be aware of obstructions below the kickstand foot when operating the kickstand cylinder. When lowering the unit be sure all people and body parts are clear of the machine.

### Stopping the Machine

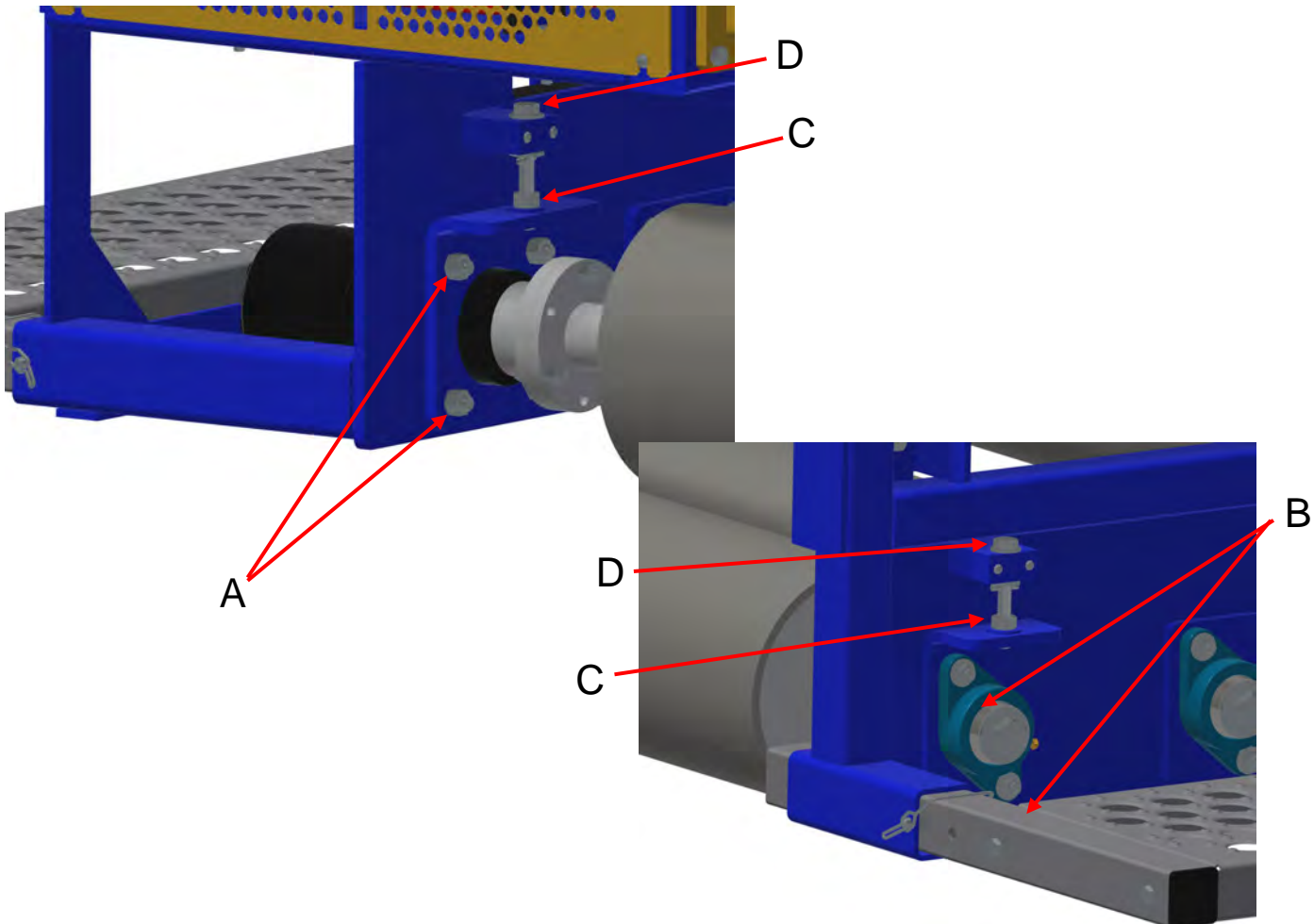
1. To stop the machine, let go of the drive lever and return the slinger lever to the neutral position.
2. To shut the machine down, turn the key to the OFF position.  
**NOTE:** In an emergency you can simply turn the key off to stop the machine and engine.

## Service & Adjustments

### Height Adjustment on Slinger

The front slinger roller tube is adjustable from 0"-1" [0-25mm] above the drive rollers. In order to adjust how much concrete passes under this roller follow the procedure listed below.

1. Loosen the (4) 3/8" nuts/bolts on the hydraulic motor (A) and the (2) 3/8" nuts/bolts on the idler side bearing (B).
2. Loosen the (2) 1/2" jam nuts (C) on the adjustment bolts on both the power and idler ends.
3. Adjust each adjustment bolt (D) to the desired height (CW for up, CCW for down).
4. Tighten the (2) jam nuts (C).
5. Tighten the (4) nuts/bolts on the hydraulic motor (A) and the (2) nuts/bolts on the idler side bearing (B).





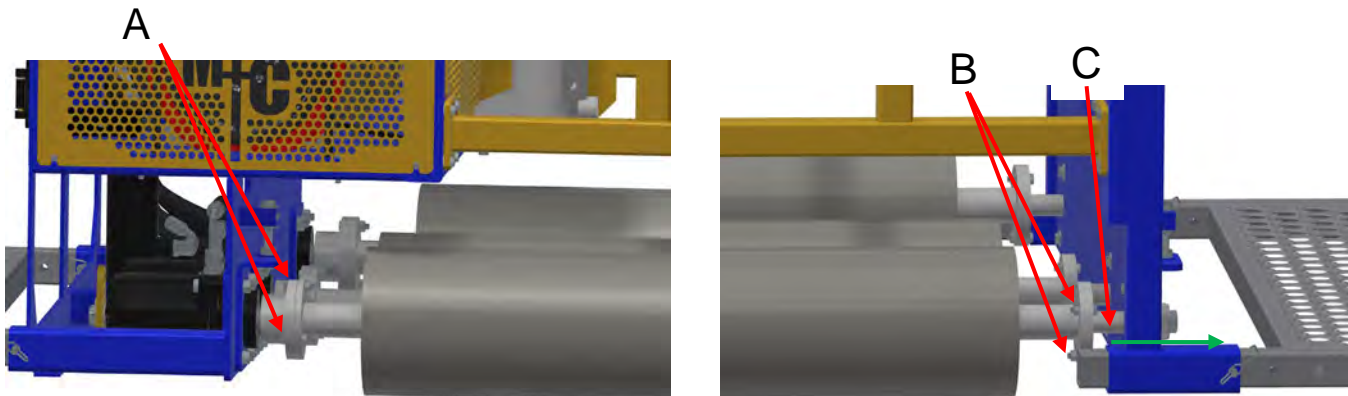


## Changing Length & Tubes

Each of the three rollers utilize a bolting flange and are symmetrical which makes changing machine length quick and easy. The rollers can be orientated in either direction and can be mounted in any position. To replace or swap roller lengths follow the below procedures.

1. Utilizing the steering leg, lift the machine to place blocks underneath the power end frame and the lite (idler) end frame so the rollers are just slightly off the ground.
2. Remove the (2) 3/8"-16 x 1-1/2" bolts and (2) 3/8"-16 lock nuts from the power end of the 1<sup>st</sup> roller, then loosen the third nut/bolt (A). Next, remove the (2) 3/8"-16 x 1-1/4" bolts and (2) 3/8"-16 lock nuts from the idler end of the same roller, then loosen the third nut/bolt (B).
3. Using a lever (or pallet jack, forklift, etc.) lift one end of the roller just enough to take the tension off of the last bolt/nut that was loosened and remove the third bolt/nut from each end.
4. Slide the idler shaft weldment (C) through the bearing (towards the idler frame) approximately 2".
5. Shift the roller itself towards the idler frame approximately 1" to clear the head of the bolt that holds the motor hub to the hydraulic motor.
6. The roller can now be removed.
7. Repeat steps 1-6 for the remaining two rollers.

**NOTE:** It is recommended that all hardware that connects the rollers should be replaced after three change-outs. The 3/8"-16 center lock nuts are only reusable for a limited number of times because the prevailing torque declines each time the nut is used. Failure to change out the locknuts and hardware may cause the bolts to loosen, damaging the machine.





## Maintenance

Below is an outline of general machine maintenance schedule. Please refer to your Honda Owner's Manual for a complete list of engine maintenance recommended by the manufacturer.

### Daily Maintenance

- Spray form release oil on any surfaces that will be in contact with concrete
- Check for loose roller connection hardware
- Check fuel level
- Check engine oil level<sup>1</sup>
- Check engine air cleaner
- Check hydraulic oil level<sup>2</sup>

### Weekly Maintenance

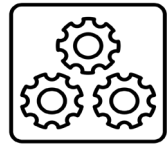
- Check for loose hardware on engine end frame, lite (idler) end frame, and extension frames

### Seasonal Maintenance

- Replace hydraulic oil & filters
- Change engine oil and filters (see Honda manual for additional recommendations)

<sup>1</sup>Honda recommends a SAE 10W-30 or 5W-30 motor oil for general use. Use a full synthetic 5W-30 for starting/operating temperatures between 5°F (-15°C) and -13°F (-25°C). For other viscosities and recommendations, see Honda Owner's Manual.

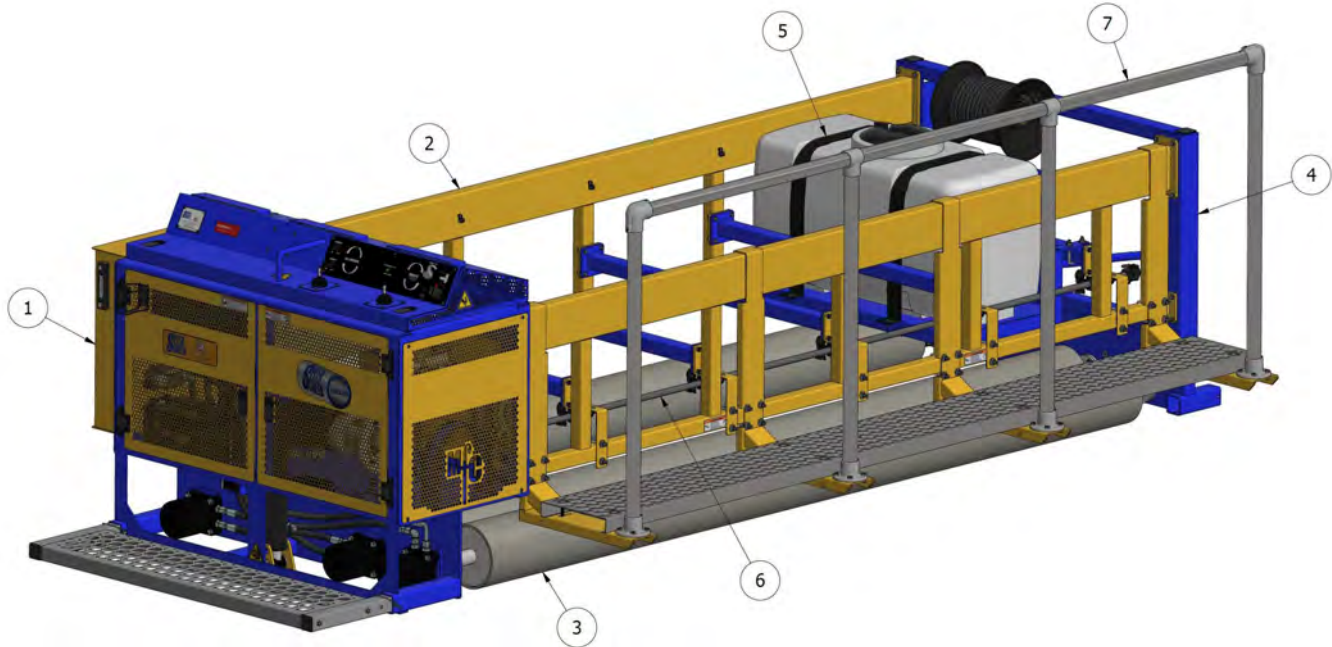
<sup>2</sup>The hydraulic system utilizes an ISO 68 hydraulic oil. The hydraulic oil filter should be replaced every 500 hours or each year, and the full hydraulic system should be drained each season. When replacing the oil, make sure to clean out any loose particulate at the bottom of the hydraulic tank before refilling with fresh ISO 68 hydraulic oil.



PARTS

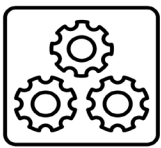
## Parts

### Full Assembly



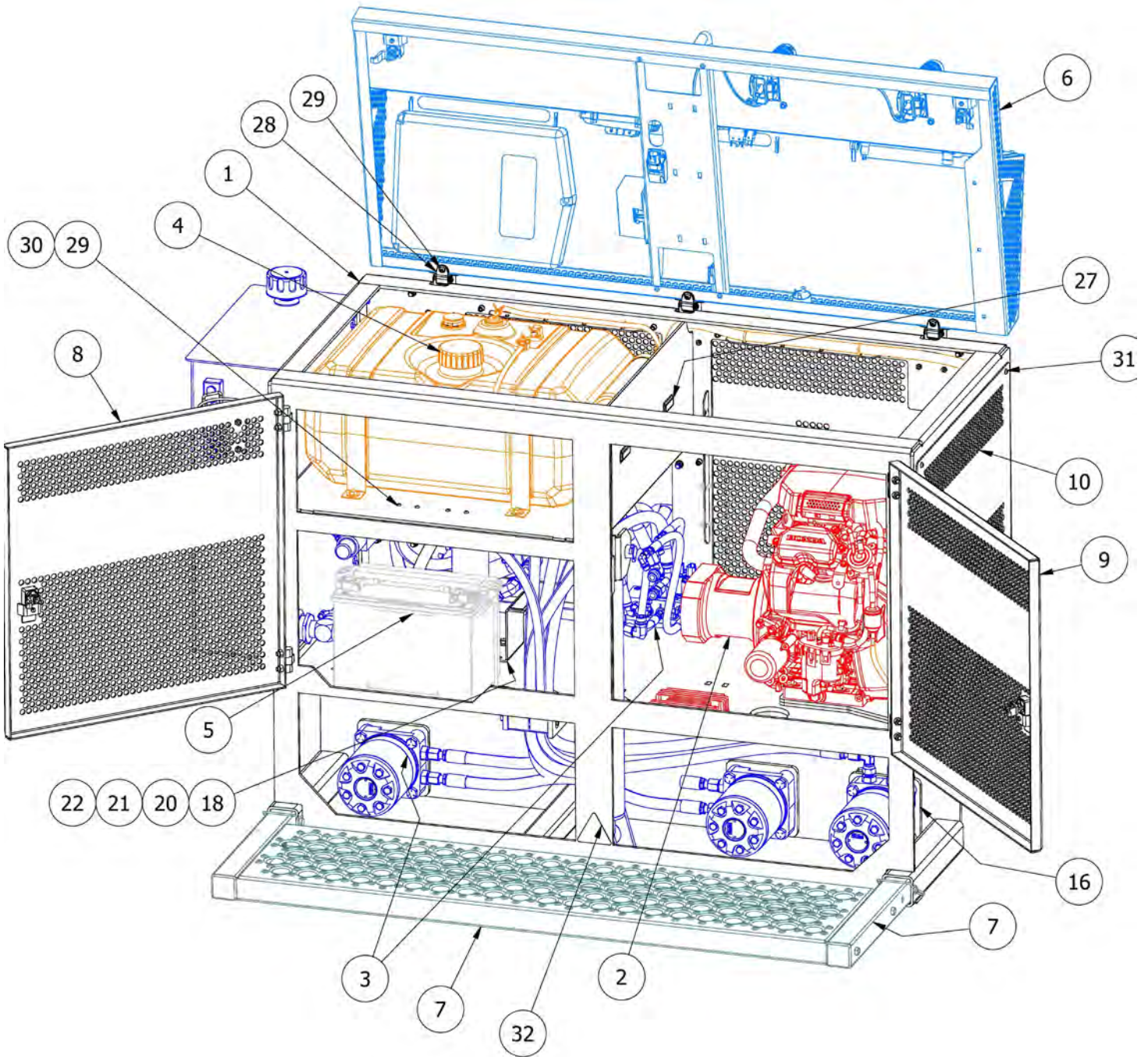
### Full Assembly – BOM

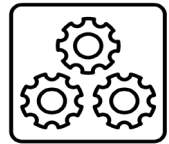
FULL MACHINE PARTS LIST			
ITEM	QTY	PART NUMBER	DESCRIPTION
1	1	780-204	END FRAME ASSEMBLY, POWER, RS
2	1	780-005	EXTENSION ASSEMBLY, 5' ROLLER SCREED
2	1	780-006	EXTENSION ASSEMBLY, 6' ROLLER SCREED
2	1	780-007	EXTENSION ASSEMBLY, 7' ROLLER SCREED
2	1	780-008	EXTENSION ASSEMBLY, 8' ROLLER SCREED
2	1	780-009	EXTENSION ASSEMBLY, 9' ROLLER SCREED
2	1	780-010	EXTENSION ASSEMBLY, 10' ROLLER SCREED
3	1	780-020	ROLLER ASSEMBLY, 10'-20' (SET OF 3 ROLLERS & HARDWARE)
3	1	780-030	ROLLER ASSEMBLY, 21'-30' (SET OF 3 ROLLERS & HARDWARE)
4	1	780-205	END FRAME ASSEMBLY, IDLER END, ROLLER SCREED
5	1	780-040	SPRAY SYSTEM, TANK ASSEMBLY, ROLLER SCREED
6	1	780-041	SPRAY SYSTEM, 5' BOOM ASSEMBLY, ROLLER SCREED
6	1	780-043	SPRAY SYSTEM, 6' BOOM ASSEMBLY, ROLLER SCREED
6	1	780-044	SPRAY SYSTEM, 7' BOOM ASSEMBLY, ROLLER SCREED
6	1	780-045	SPRAY SYSTEM, 8' BOOM ASSEMBLY, ROLLER SCREED
6	1	780-046	SPRAY SYSTEM, 9' BOOM ASSEMBLY, ROLLER SCREED
6	1	780-047	SPRAY SYSTEM, 10' BOOM ASSEMBLY, ROLLER SCREED
7	1	780-050	WALKWAY, 5' ASSEMBLY
7	1	780-060	WALKWAY, 10' ASSEMBLY



PARTS

# End Frame - Power Assembly

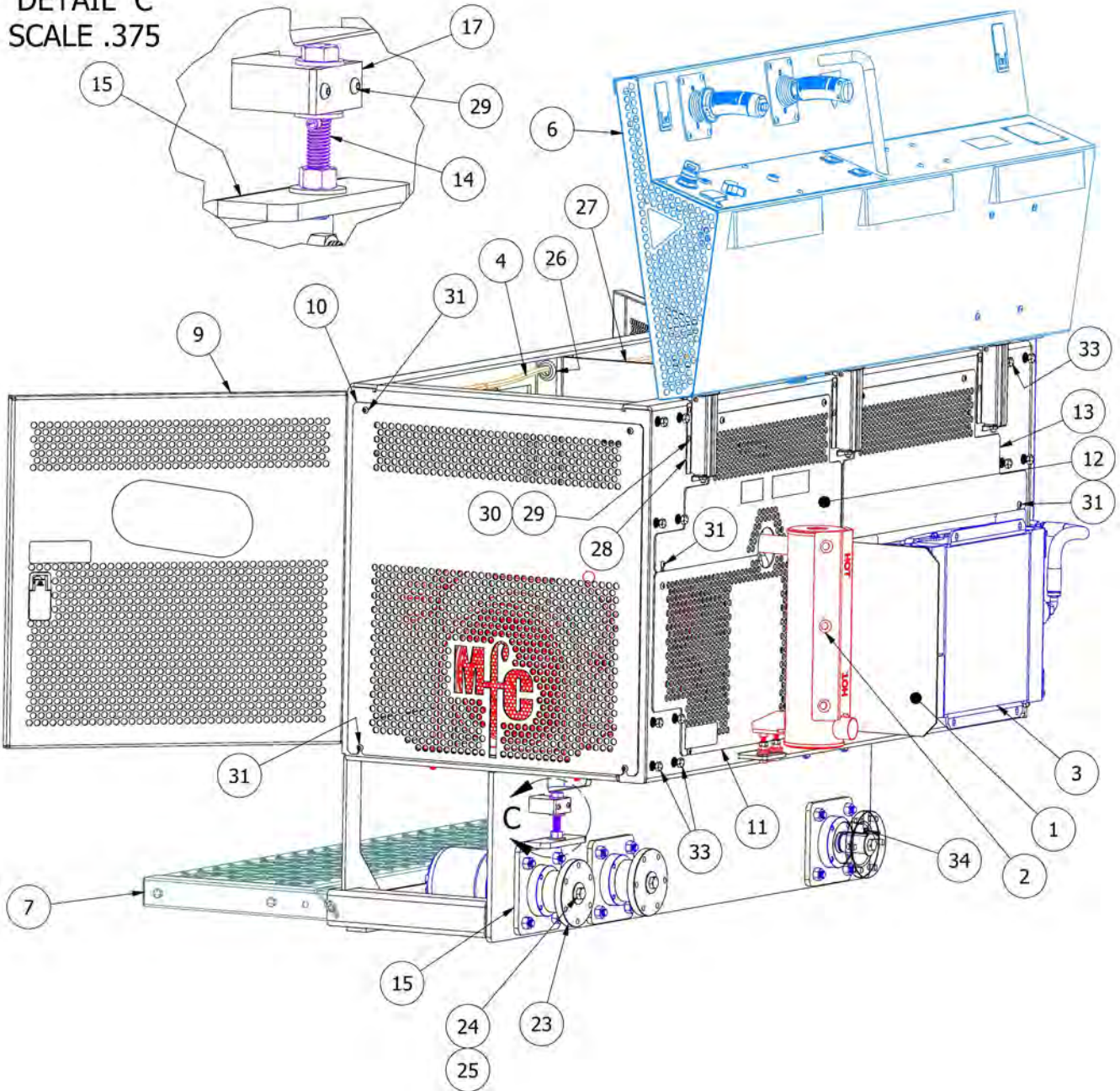


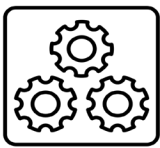


PARTS

### End Frame - Power Assembly (Continued)

DETAIL C  
SCALE .375



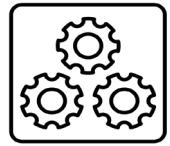


PARTS



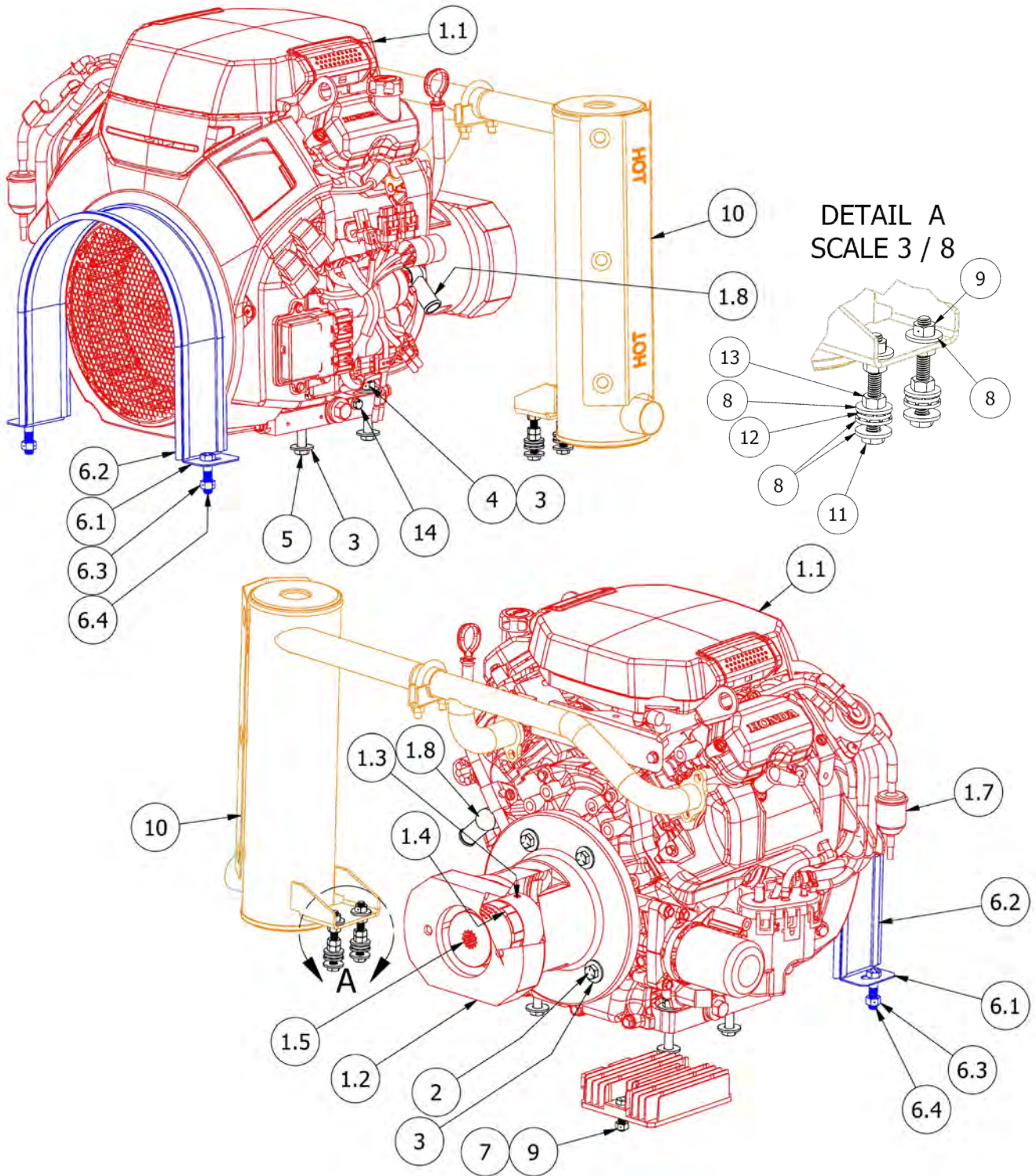
End Frame – Power Assembly BOM

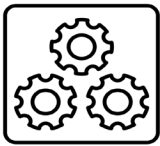
END FRAME - POWER ASSEMBLY PART LIST (780-204)				
ITEM	QTY	PART NUMBER	DESCRIPTION	PAGE#
1	1	780-204.1	END FRAME WELDMENT, POWER, RS	27
2	1	780-204.2	ENGINE ASSEMBLY, 22HP HONDA iGX700	29-30
3	1	780-204.3	HYDRAULIC SYSTEM ASSEMBLY	31-36
4	1	780-204.4	FUEL SYSTEM ASSEMBLY	27-38
5	1	780-204.5	ELECTRICAL SYSTEM ASSEMBLY	39
6	1	780-204.6	CONTROL PANEL ASSEMBLY	40-42
7	1	780-204.7	PLATFORM ASSEMBLY	43
8	1	780-204.8	COVER, FRONT LEFT, DOOR ASSEMBLY	26
9	1	780-204.9	COVER, FRONT RIGHT, DOOR ASSEMBLY	26-27
10	1	780-204.15	COVER, SIDE (R)	27
11	1	780-204-17	COVER, BACK, BOTTOM, W/ DECAL	27
12	1	780-204.18	COVER, BACK, TOP (L), W/ DECAL	27
13	1	780-204.17	COVER, BACK, TOP (R)	27
14	1	780-204.20	ROLLER ADJUSTMENT BOLT ASSY	27
15	1	780-204.19	MOTOR MOUNT PLATE, ADJUSTABLE	27
16	1	780-204.21	MOTOR MOUNT PLATE, SLIDING	26
17	1	780-204.22	ROLLER ADJUSTMENT COVER	27
18	1	780-204.23	PUMP SUPPORT BRACKET	26
19	1	780-204.24	COVER, BACK, BOTTOM, BAFFLE	27
20	2	020-485	SCREW, CAP, HEX HEAD, 3/8"-16 X 1", GR.A, FT, ZPS	26
21	4	041-138	WASHER, FLAT, 3/8" x 1" OD GP, ZPS	26
22	2	040-438	NUT, LOCK, 3/8"-16, GR.A, ZPS	26
23	3	780-243	ROLLER, MOTOR HUB	27
24	3	020-905	SCREW, CAP, HEX HEAD, M12 x 25mm, FT, ZPS	27
25	3	041-151	WASHER, FLAT, FENDER, 1/2"ID x 1-1/2"OD, ZPS	27
26	2	044-204	GROMMET, RUBBER, 3/4" ID x 1" HD x 1/8"	27
27	1	780-232	HEAT-SHIELDING TAPE	27
28	3	780-260	HINGE, COUNTERBALANCE	27
29	27	022-163	SCREW, BUTTON HEAD, #10-24 x 1/2", ZPS	27
30	25	040-410	NUT, LOCK, EXTERNAL-TOOTH, #10-24, ZPS	27
31	16	020-105	SCREW, BUTTON HEAD, 1/4"-20 x 3/4", ZPS	27
32	1	017-905	DECAL: TOE CRUSH	26
33	16	020-492	SCREW, CAP, HEX HEAD, 3/8"-16 x 1-1/4", GR.5, ZPS	27
34	3	028-331	SCREW, SET, SOCKET HEAD, CUP PT., 5/16"-18 x 5/16"	27



PARTS

# Engine Assembly





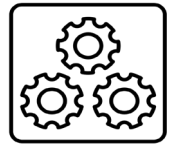
PARTS

## Engine Assembly BOM



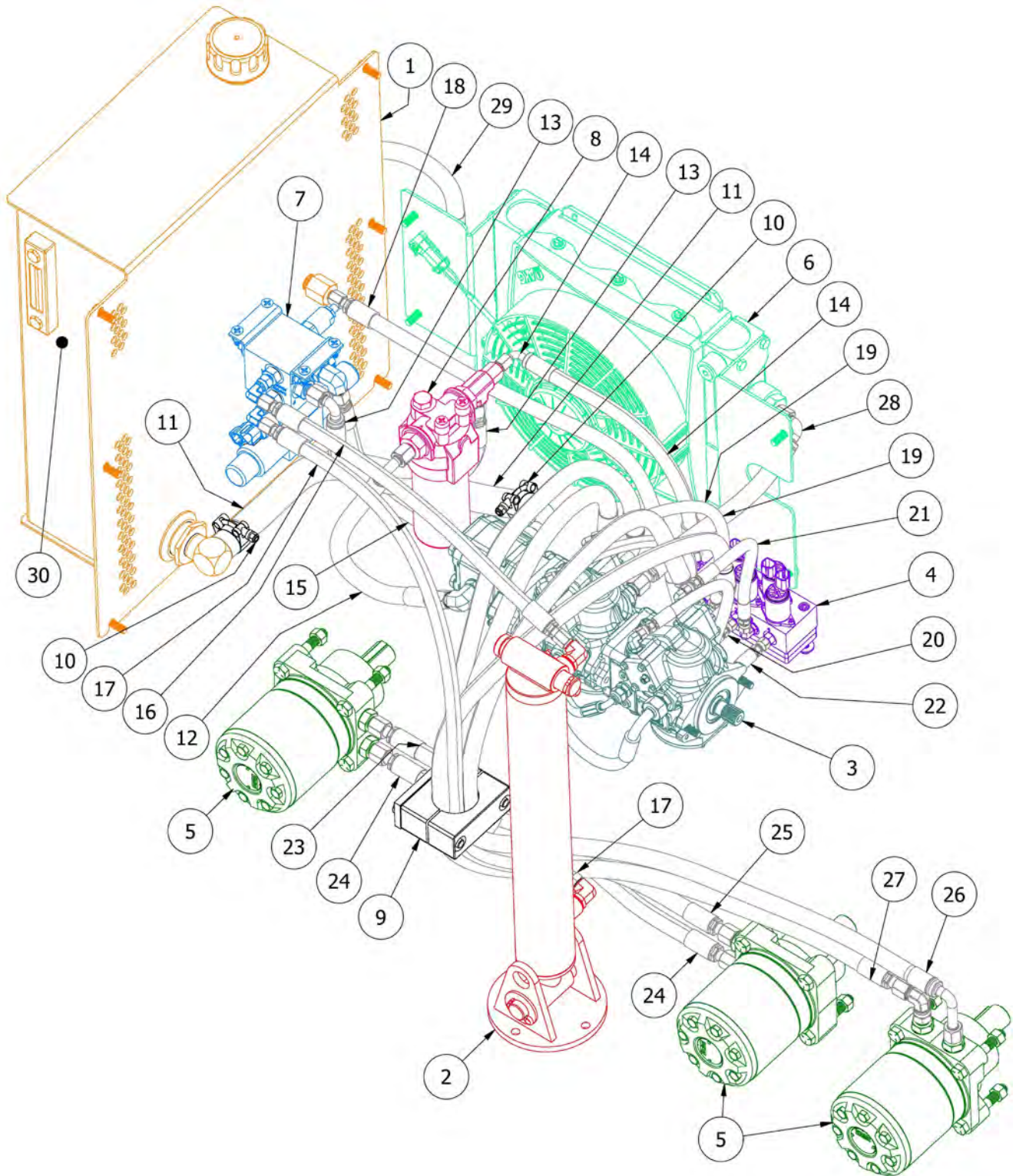
ENGINE ASSEMBLY PARTS LIST (780-204.2)			
ITEM	QTY	PART NUMBER	DESCRIPTION
1	1	780-63	ENGINE ASSEMBLY, 22HP HONDA, IGX700 ROLLER SCREED
1.1	1	780-63.1	ENGINE, 22.0 H.P. HONDA iGX700
1.2	1	780-63.2	SIZE 18 PMM SAE "A" 2-BOLT, 5-3/4" ENG PILOT, 6.5" BCD
1.3	1	780-63.3	28/38 PM "B" STYLE HUB, 1-1/8" BORE, 1/4"x1/8" KEYWAY
1.4	1	780-63.4	28/38 RED SPIDER, 98 DURO
1.5	1	780-63.5	28/38 PM "B" STYLE HUB, 13 TOOTH SPLINE
1.7	1	780-63.7	FUEL FILTER, HONDA iGX700
1.8	1	780-63.8	INSULATOR BOOT, STARTER TERMINAL
2	4	020-492	SCREW, CAP, HEX HEAD, 3/8"-16 x 1-1/4", GR.5, ZPS
3	12	041-138	WASHER, FLAT, 3/8" x 1" OD GP, ZPS
4	4	040-438	NUT, LOCK, 3/8"-16, GR.A, ZPS
5	4	020-499	SCREW, CAP, HEX HEAD, 3/8"-16 UNC X 2-1/2", GR.A, ZPS
6	1	780-204.2.3	INTAKE SHIELD ASSEMBLY
6.1	1	780-204.2.3.1	INTAKE SHIELD, BENT
6.2	2	780-247	SEAL, RUBBER, PUSH-ON WITH BULB
6.3	2	040-438	NUT, LOCK, 3/8"-16, GR.A, ZPS
6.4	2	020-435	SCREW, CAP, HEX HEAD, 3/8"-16 x 1-1/2", GR.8, ZPS
7	2	020-392	SCREW, CAP, HEX HEAD, 5/16"-18 x 1-1/4", GR.5, ZPS
8	8	041-131	WASHER, FLAT, 5/16", ZPS
9	4	040-431	NUT, LOCK, 5/16"-18, GR.5, ZPS
10	1	780-63-1	MUFFLER, LOW MOUNT, HONDA iGX700
11	2	020-400	SCREW, CAP, HEX HEAD, 5/16"-18 UNC X 2-1/2", FT, GR.5, ZPS
12	2	048-762	WASHER, VIBRATION, .46"ID X .81"OD X .25"T
13	4	040-131	NUT, HEX, 5/16"-18, GR.A, ZPS
14	1	020-907	SCREW, CAP, HEX HEAD, M6-1.0 x 16mm, CL8.8, ZPS

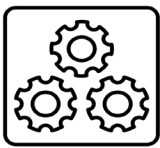




PARTS

# Hydraulics Assembly



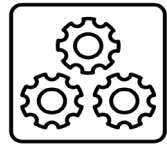


PARTS

Hydraulics BOM

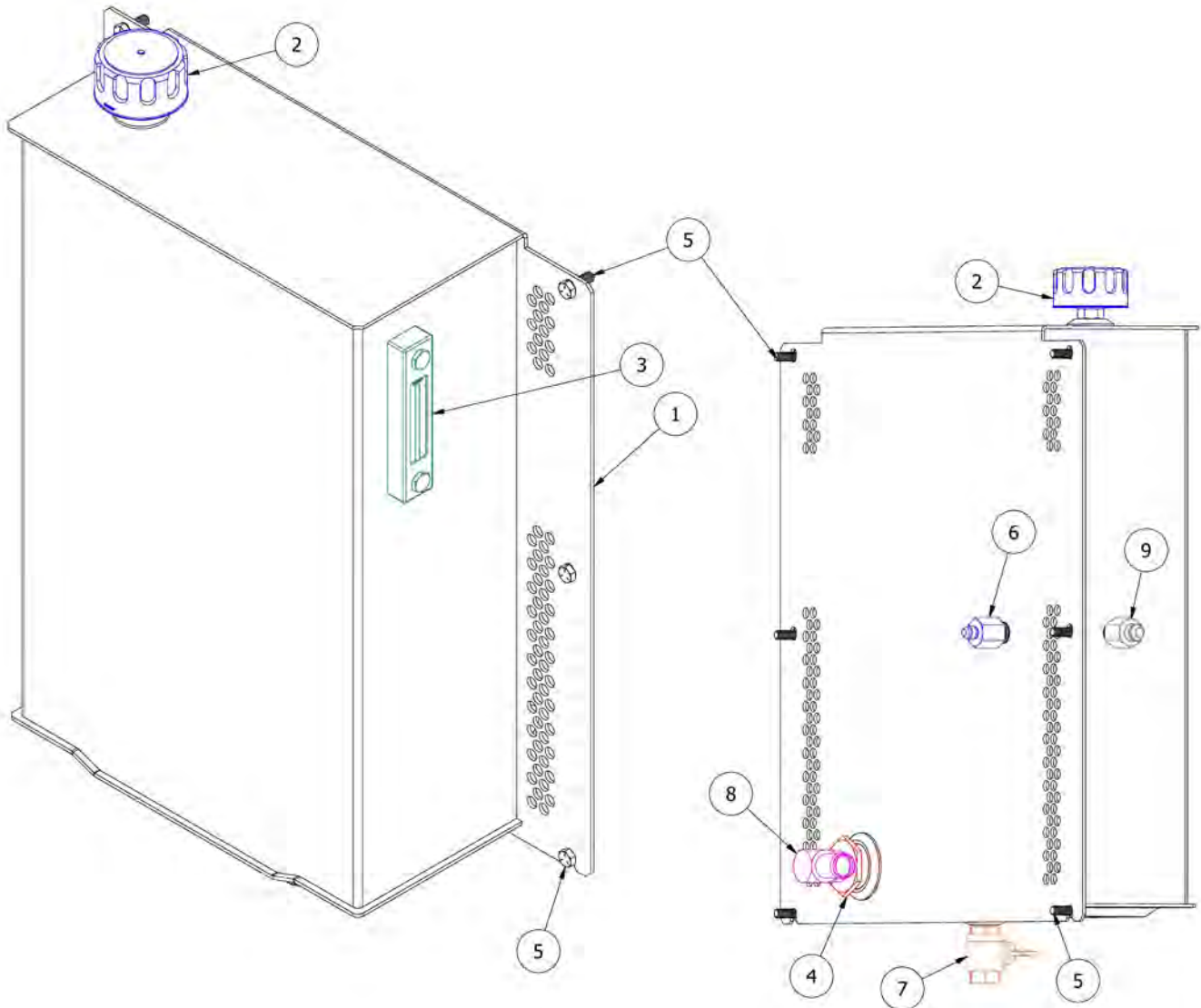


HYDRAULIC ASSEMBLY PARTS LIST (780-204.3)				
ITEM	QTY	PART NUMBER	DESCRIPTION	PAGE#
1	1	780-204.3.1	TANK, HYDRAULIC, 10gal.	33
2	1	780-204.3.2	KICKSTAND ASSEMBLY	37
3	1	780-274.3.3	PUMP, TANDEM ASSY, w/ FITTINGS	38
4	1	780-274.3.4	PROPORTIONAL CONTROL MANIFOLD ASSEMBLY	39
5	3	780-274.3.5	HYDRAULIC MOTOR ASSEMBLY	40
6	1	780-274.3.6	HYDRAULIC COOLER ASSEMBLY	41
7	1	780-274.3.7	HYDRAULIC MANIFOLD, KICKSTAND	42
8	1	780-274.3.8	FILTER ASSEMBLY	43
9	1	780-248-A	CLAMP, HYDRAULIC HOSE, 2-3/8"ID	31
10	2	780-274.3.10	CLAMP, TIGHT SEAL, BOLT, 1-3/8"-1-1/2"ID	36
11	1	780-274.3.11	HOSE ASSEMBLY, CHARGE PUMP (IN) - TANK (OUT)	36
12	1	780-274.3.12	HOSE ASSEMBLY, CHARGE PUMP (OUT) - FILTER (IN)	31
13	1	780-274.3.13	HOSE ASSEMBLY, FILTER (OUT-1) - D03 (P)	36
14	1	780-274.3.14	HOSE ASSEMBLY, FILTER (OUT-2) - PILOT (P)	35
15	1	780-274.3.15	HOSE ASSEMBLY, D03 (T) - PUMP (S)	36
16	1	780-274.3.16	HOSE ASSEMBLY, D03 (A) - KICKSTAND (A)	36
17	1	780-274.3.17	HOSE ASSEMBLY, D03 (B) - KICKSTAND (B)	36
18	1	780-274.3.18	HOSE ASSEMBLY, PILOT (T) - TANK (2)	35
19	1	780-274.3.19	HOSE ASSEMBLY, PILOT (1) - PUMP (M6)	35
20	1	780-274.3.20	HOSE ASSEMBLY, PILOT (2) - PUMP (M5)	35
21	1	780-274.3.21	HOSE ASSEMBLY, PILOT (3) - PUMP (M4)	35
22	1	780-274.3.22	HOSE ASSEMBLY, PILOT (4) - PUMP (M3)	35
23	1	780-274.3.23	HOSE ASSEMBLY, MOTOR-DRIVE-1 (A) - PUMP (A2)	34
24	1	780-274.3.24	HOSE ASSEMBLY, MOTOR-DRIVE-1 (B) - MOTOR-DRIVE-2 (A)	34
25	1	780-274.3.25	HOSE ASSEMBLY, MOTOR-DRIVE-2 (B) - PUMP (B2)	34
26	1	780-274.3.26	HOSE ASSEMBLY, MOTOR-SLINGER (B) - PUMP (A1)	34
27	1	780-274.3.27	HOSE ASSEMBLY, MOTOR-SLINGER (A) - PUMP (B1)	34
28	1	780-274.3.28	HOSE ASSEMBLY, HEAT EXCHANGER (I) - PUMP (T2)	35
29	1	780-274.3.29	HOSE ASSEMBLY, HEAT EXCHANGER (O) - TANK (3)	35
30	11	0411117	HYDRAULIC OIL, ISO 46	31

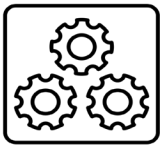


PARTS

## Hydraulic Assembly - Tank

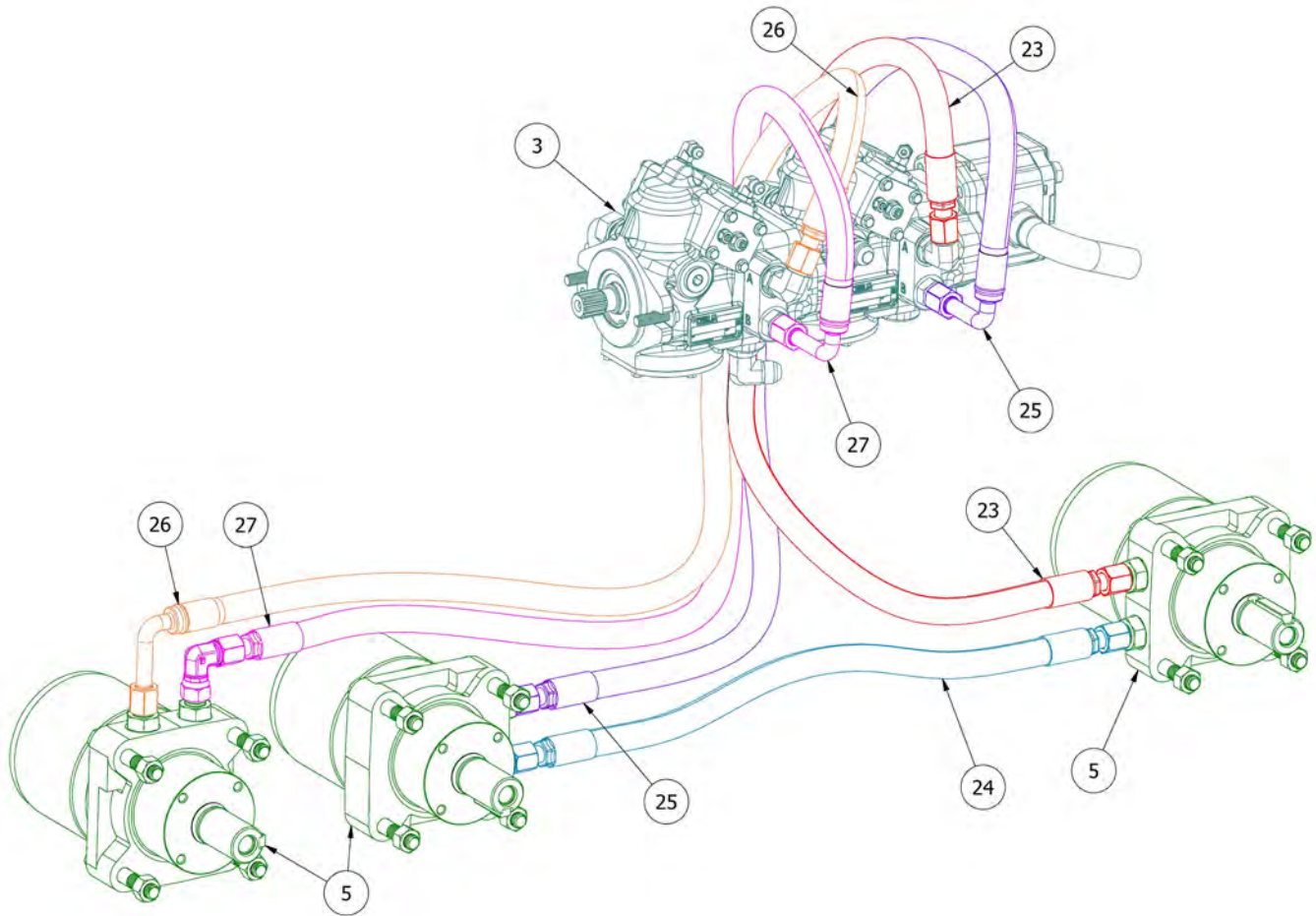


ITEM	QTY	PART NUMBER	DESCRIPTION
1	1	780-204.3.1.1	HYDRAULIC TANK WELDMENT, 10gal.
2	1	780-274.3.1.2	FILLER BREATHER CAP, 3/4" NPT
3	1	780-274.3.1.3	HYDRAULIC OIL LEVEL & TEMP GAUGE
4	1	780-274.3.1.4	SUCTION STRAINER, TANK MOUNTED, 1-1/2" TO 1" NPT
5	6	020-485	SCREW, CAP, HEX HEAD, 3/8"-16 X 1", GR.A, FT, ZPS
6	1	780-274.3.1.6	FITTING, HYD, STRAIGHT NPT-JIC, 6-8
7	1	780-255	PIPE FITTING, BALL VALVE, MALE-FEMALE, 3/4"NPT
8	1	780-274.3.1.8	90 DEG. BEADED HOSE INSERT-16-16
9	1	780-274.3.1.9	FITTING, HYD, STRAIGHT NPT-JIC, 8-8

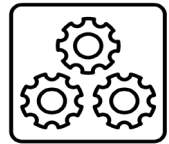


PARTS

## Hydraulics Assembly – Pump/Motors

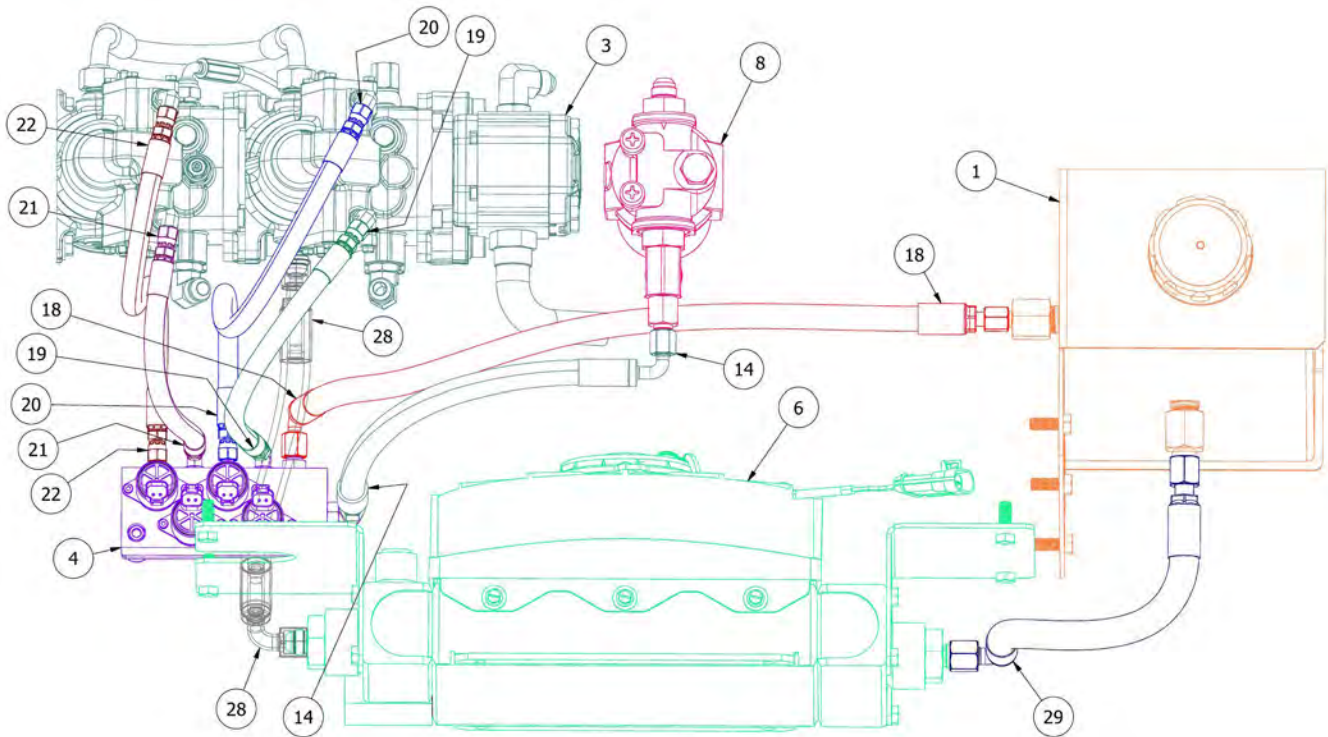


ITEM	QTY	PART NUMBER	DESCRIPTION
3	1	780-274.3.3	PUMP, TANDEM ASSY, w/ FITTINGS
5	3	780-274.3.5	HYDRAULIC MOTOR ASSEMBLY
23	1	780-274.3.23	HOSE ASSEMBLY, MOTOR-DRIVE-1 (A) - PUMP (A2)
24	1	780-274.3.24	HOSE ASSEMBLY, MOTOR-DRIVE-1 (B) - MOTOR-DRIVE-2 (A)
25	1	780-274.3.25	HOSE ASSEMBLY, MOTOR-DRIVE-2 (B) - PUMP (B2)
26	1	780-274.3.26	HOSE ASSEMBLY, MOTOR-SLINGER (B) - PUMP (A1)
27	1	780-274.3.27	HOSE ASSEMBLY, MOTOR-SLINGER (A) - PUMP (B1)

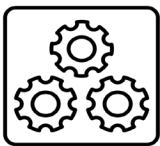


PARTS

## Hydraulics Assembly – Pump/Filter/Manifold/Cooler/Tank



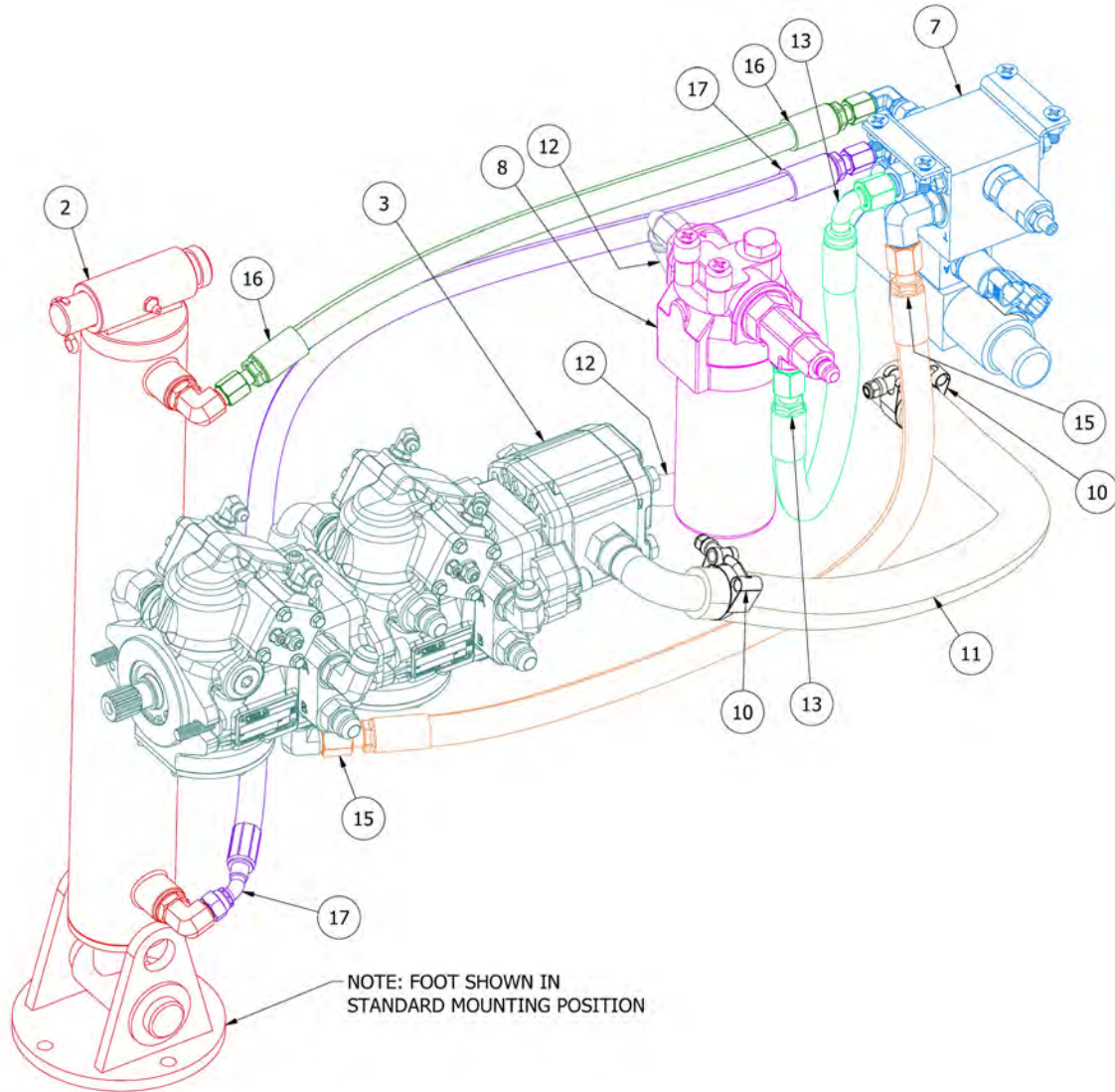
ITEM	QTY	PART NUMBER	DESCRIPTION
1	1	780-204.3.1	TANK, HYDRAULIC, 10gal.
3	1	780-274.3.3	PUMP, TANDEM ASSY, w/ FITTINGS
4	1	780-274.3.4	PROPORTIONAL CONTROL MANIFOLD ASSEMBLY
6	1	780-274.3.6	HYDRAULIC COOLER ASSEMBLY
8	1	780-274.3.8	FILTER ASSEMBLY
14	1	780-274.3.14	HOSE ASSEMBLY, FILTER (OUT-2) - PILOT (P)
18	1	780-274.3.18	HOSE ASSEMBLY, PILOT (T) - TANK (2)
19	1	780-274.3.19	HOSE ASSEMBLY, PILOT (1) - PUMP (M6)
20	1	780-274.3.20	HOSE ASSEMBLY, PILOT (2) - PUMP (M5)
21	1	780-274.3.21	HOSE ASSEMBLY, PILOT (3) - PUMP (M4)
22	1	780-274.3.22	HOSE ASSEMBLY, PILOT (4) - PUMP (M3)
28	1	780-274.3.28	HOSE ASSEMBLY, HEAT EXCHANGER (I) - PUMP (T2)
29	1	780-274.3.29	HOSE ASSEMBLY, HEAT EXCHANGER (O) - TANK (3)



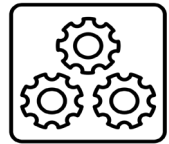
PARTS



Hydraulics Assembly – Pump/Filter/KS Manifold/Kick Stand

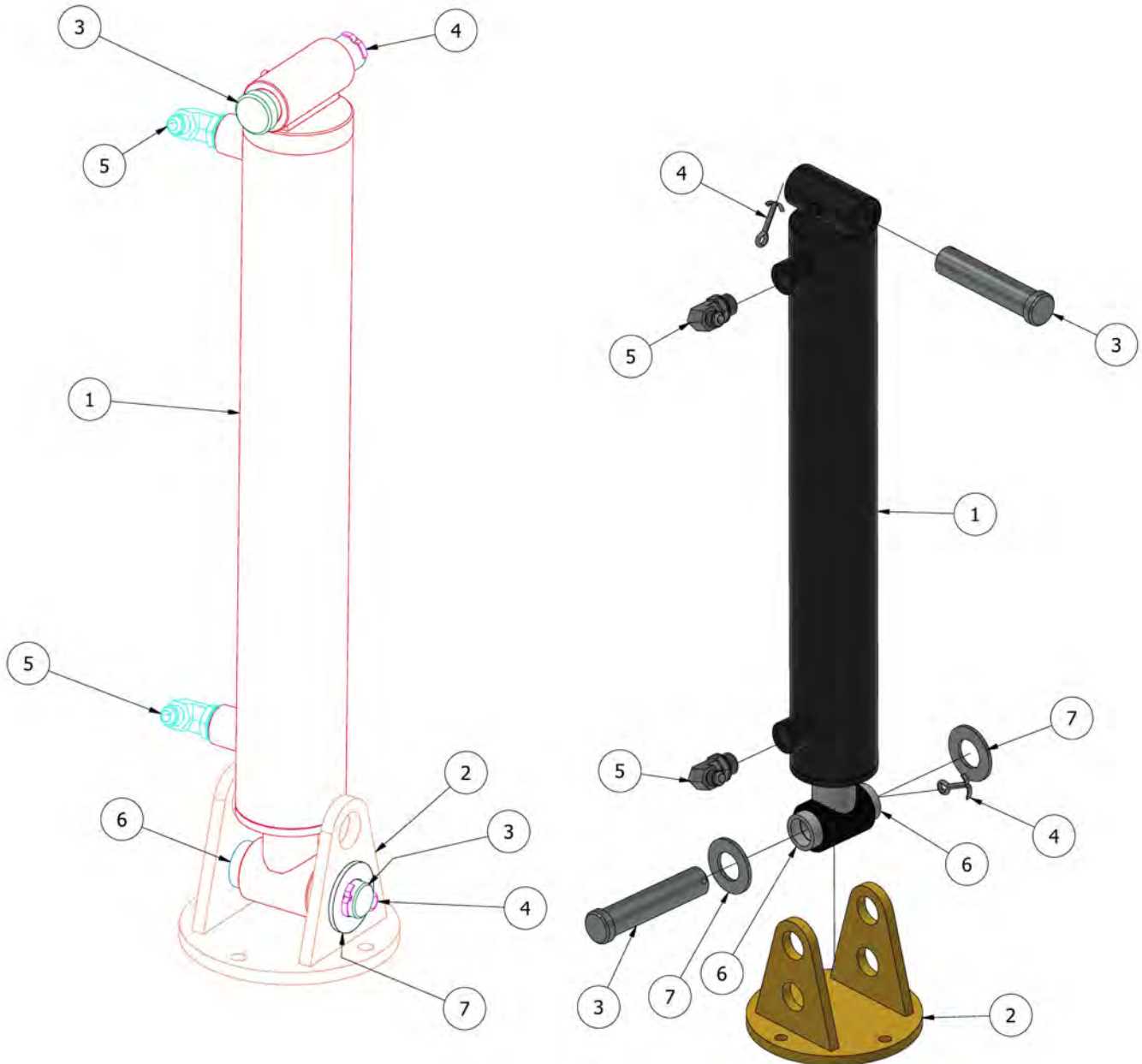


ITEM	QTY	PART NUMBER	DESCRIPTION
2	1	780-204.3.2	KICKSTAND ASSEMBLY
3	1	780-274.3.3	PUMP, TANDEM ASSY, w/ FITTINGS
6	1	780-274.3.6	HYDRAULIC COOLER ASSEMBLY
7	1	780-274.3.7	HYDRAULIC MANIFOLD, KICKSTAND
8	1	780-274.3.8	FILTER ASSEMBLY
10	2	780-274.3.10	CLAMP, TIGHT SEAL, BOLT, 1-3/8"-1-1/2"ID
11	1	780-274.3.11	HOSE ASSEMBLY, CHARGE PUMP (IN) - TANK (OUT)
12	1	780-274.3.12	HOSE ASSEMBLY, CHARGE PUMP (OUT) - FILTER (IN)
13	1	780-274.3.13	HOSE ASSEMBLY, FILTER (OUT-1) - DO3 (P)
15	1	780-274.3.15	HOSE ASSEMBLY, D03 (T) - PUMP (S)
16	1	780-274.3.16	HOSE ASSEMBLY, D03 (A) - KICKSTAND (A)
17	1	780-274.3.17	HOSE ASSEMBLY, D03 (B) - KICKSTAND (B)

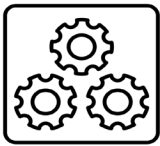


PARTS

### Hydraulics Assembly - Kick Stand

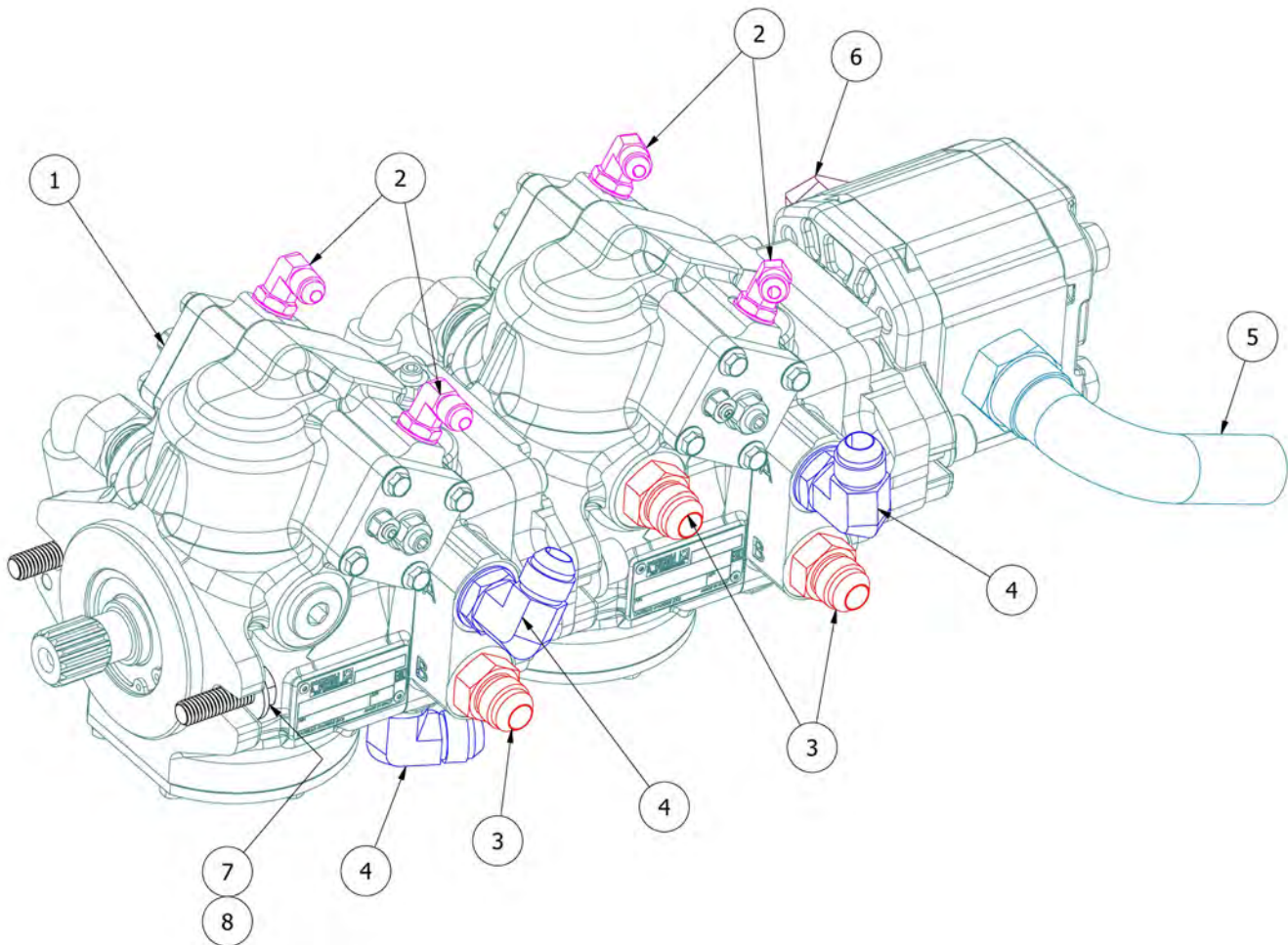


ITEM	QTY	PART NUMBER	DESCRIPTION
1	1	780-249	HYDRAULIC CYLINDER, 2-1/2" BORE, 16" STROKE
2	1	780-204-3.2.2	KICKSTAND, FOOT ASSEMBLY
3	2	046-675	CLEVIS PIN, 1" X 4-1/2", ZPS
4	2	046-215	COTTER PIN, 3/16" x 1-3/4", ZPS
5	2	780-274.3.2.5	FITTING, HYD, 90 DEG, ORB-JIC, 6-8
6	2	014-290	PIPE. 1" SCH.40 x 7/16"
7	2	041-190	WASHER, FLAT, 1", ZPS



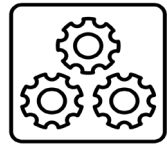
PARTS

Hydraulics Assembly – Tandem Pump



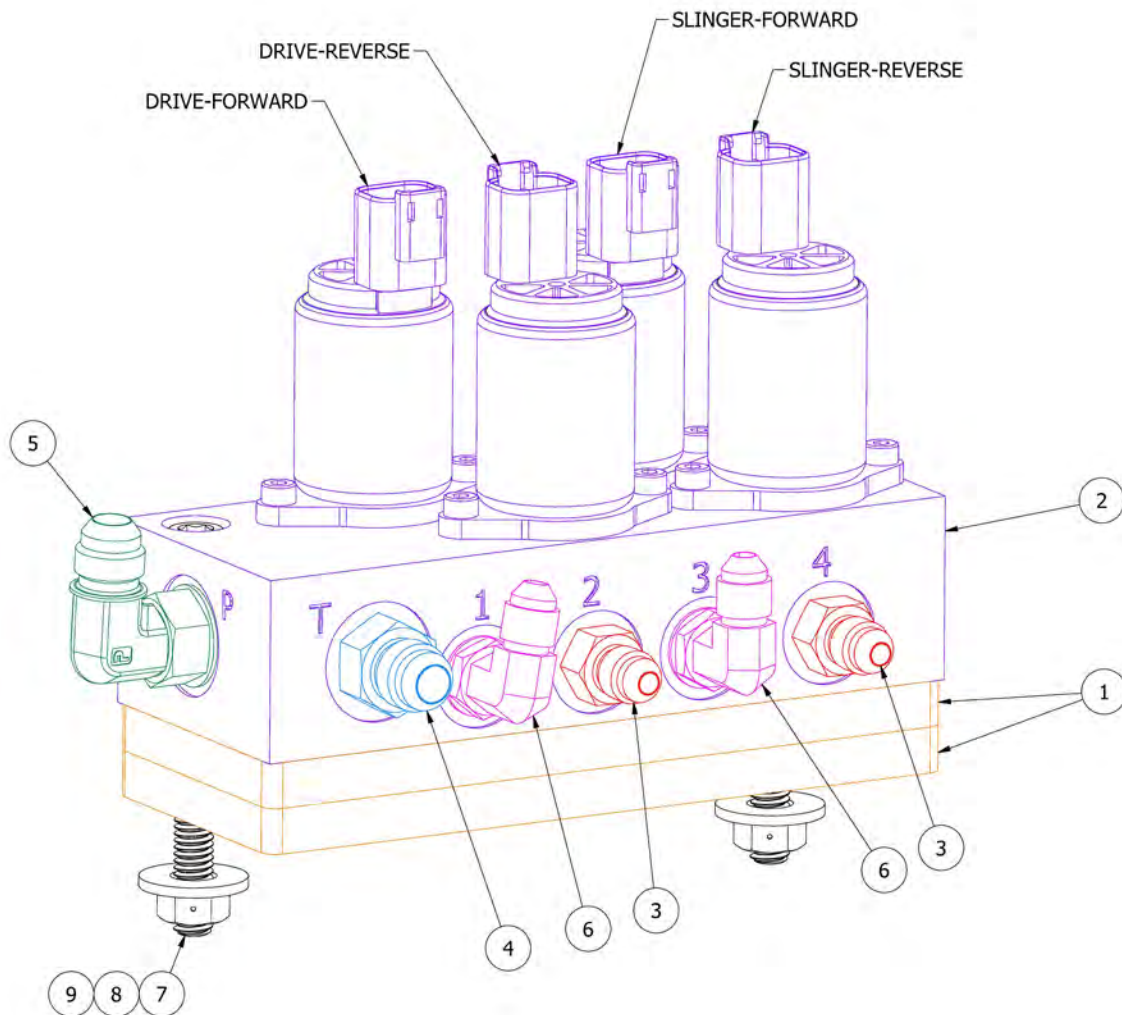
ITEM	QTY	PART NUMBER	DESCRIPTION
1	1	780-274.3.3.1	PUMP, BONDIOLI, TANDEM
2	4	780-274.3.3.6	FITTING, HYD, 37 DEG. FLARE, JIC SWIVEL, 90DEG, 4-4
3	3	780-274.3.3.3	FITTING, HYD, STRAIGHT ORB-JIC, 8-8
4	3	780-274.3.3.8	FITTING, HYD, 90 DEG. ORB, JIC, 8
5	1	780-274.3.3.7	FITTING, HYD, LOW PRESSURE BEADED INSERT, 12-16
6	1	780-274.3.7.9	FITTING, HYD, 90 DEG, ORB-JIC, 8-10
7	2	041-131	WASHER, FLAT, 5/16", ZPS
8	2	020-498	SCREW, CAP, HEX HEAD, 3/8"-16 x 1-1/4", GR.8, ZPS



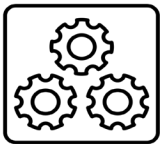


PARTS

## Hydraulics Assembly – Proportional Control Manifold

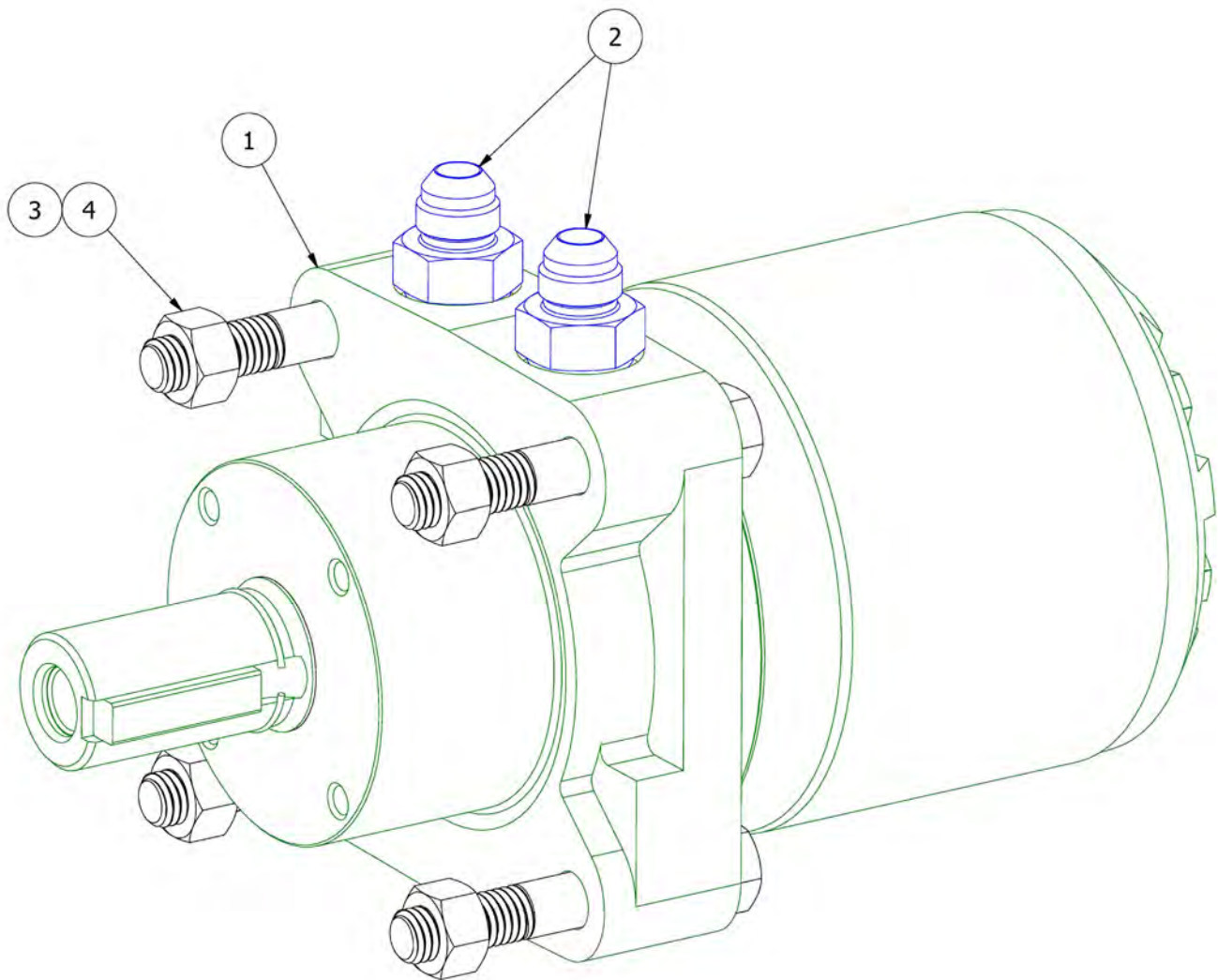


ITEM	QTY	PART NUMBER	DESCRIPTION
1	2	780-204.3.4.1	PROP MANIFOLD RISER PLATE
2	1	780-274.3.4.2	THOMAS MAGNETE PROPORTIONAL CONTROL BLOCK
3	2	780-274.3.4.3	FITTING, HYD, STRAIGHT ORB-JIC, 4
4	1	780-274.3.4.4	FITTING, HYD, STRAIGHT ORB-JIC, 6
5	1	780-274.3.4.5	FITTING, HYD, 90 DEG. ORB, JIC, 6
6	2	780-274.3.3.6	FITTING, HYD, 37 DEG. FLARE, JIC SWIVEL, 90DEG, 4-4
7	2	021-306	SCREW, CAP, SOCKET HEAD, 5/16"-18 X 3"
8	2	040-431	NUT, LOCK, 5/16"-18, GR.5, ZPS
9	2	041-131	WASHER, FLAT, 5/16", ZPS

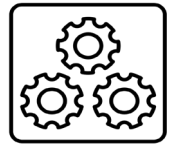


PARTS

### Hydraulics Assembly – Motor

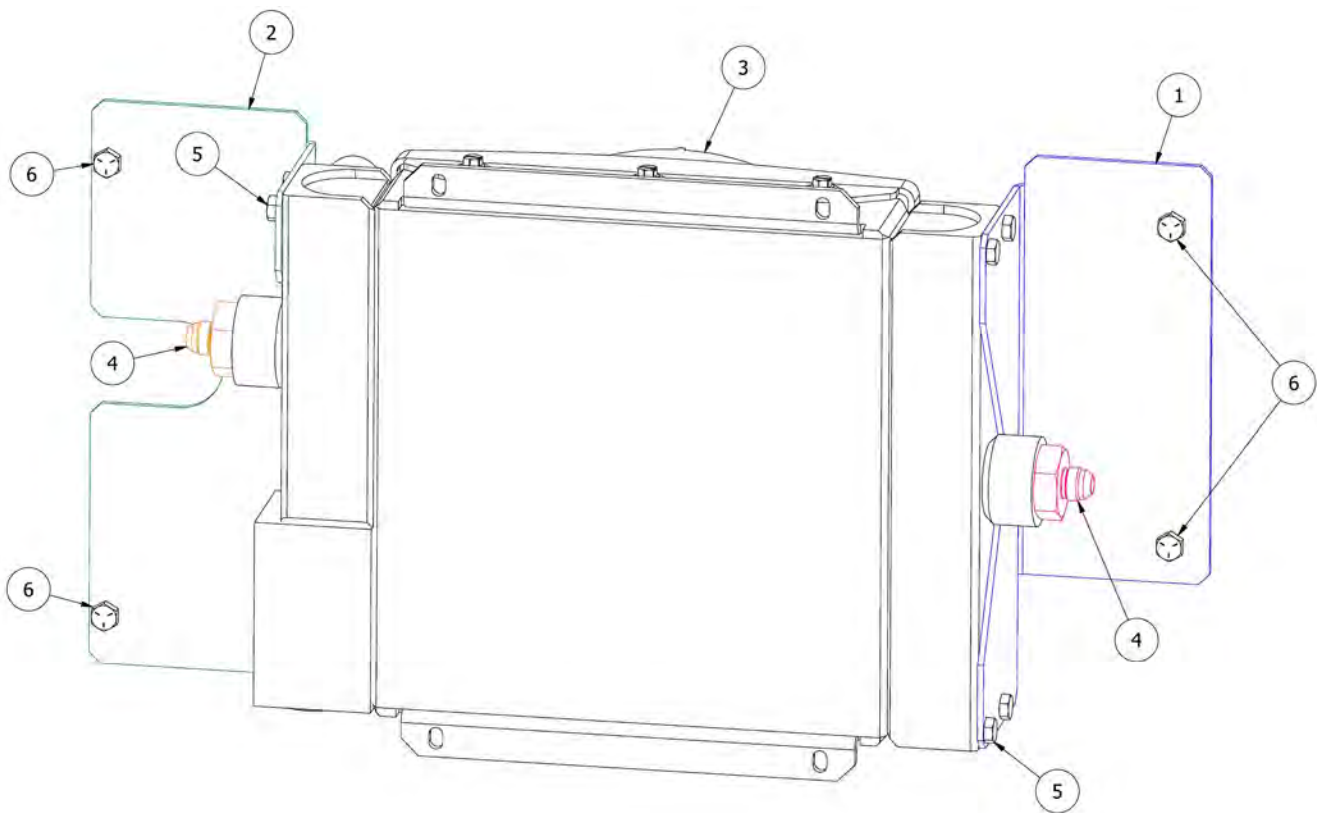


ITEM	QTY	PART NUMBER	DESCRIPTION
1	1	780-077	HYDRAULIC MOTOR, ROLLER SCREED, PARKER-TF-LSHT
2	2	780-274.3.3.4	FITTING, HYD, STRAIGHT ORB-JIC, 8-10
3	4	020-532	SCREW, CAP, HEX HEAD, 1/2"-13x3-1/4", GR.5, ZPS
4	4	040-150	NUT, HEX, 1/2"-13, GR.5, ZPS

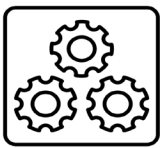


PARTS

## Hydraulics Assembly – Hydraulic Cooler

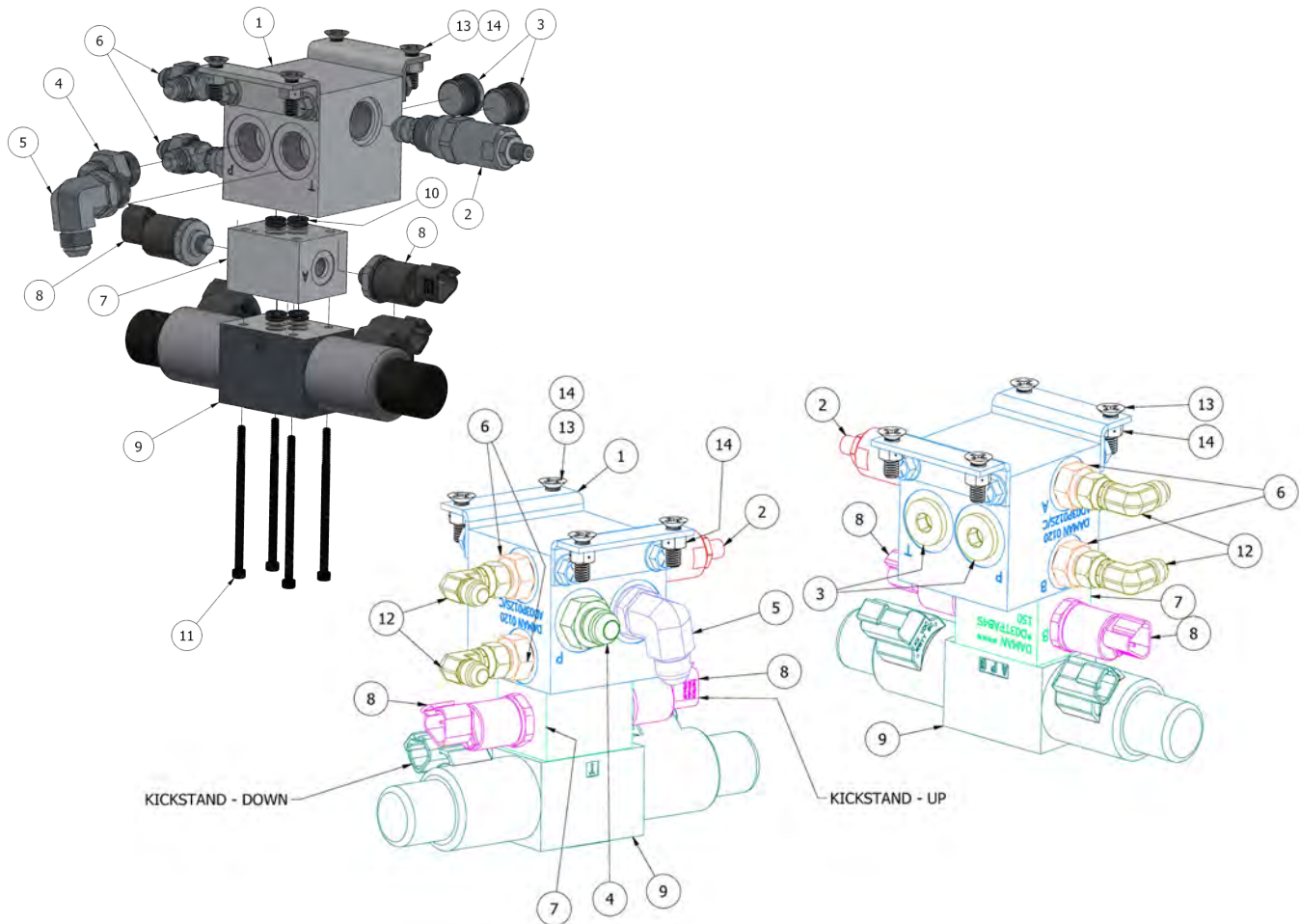


ITEM	QTY	PART NUMBER	DESCRIPTION
1	1	780-204.3.6.1	HYDRAULIC COOLER BRACKET, R
2	1	780-204.3.6.2	HYDRAULIC COOLER BRACKET, L
3	1	780-204.3.6.3	HYDRAULIC OIL HEAT EXCHANGER
4	2	780-204.3.6.4	FITTING, HYD, STRAIGHT ORB-JIC, 8-16
5	6	020-906	SCREW, CAP, HEX HEAD, M8-1.25 X 12mm, FT, ZPS

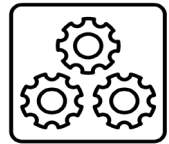


PARTS

Hydraulics Assembly – Kickstand Manifold

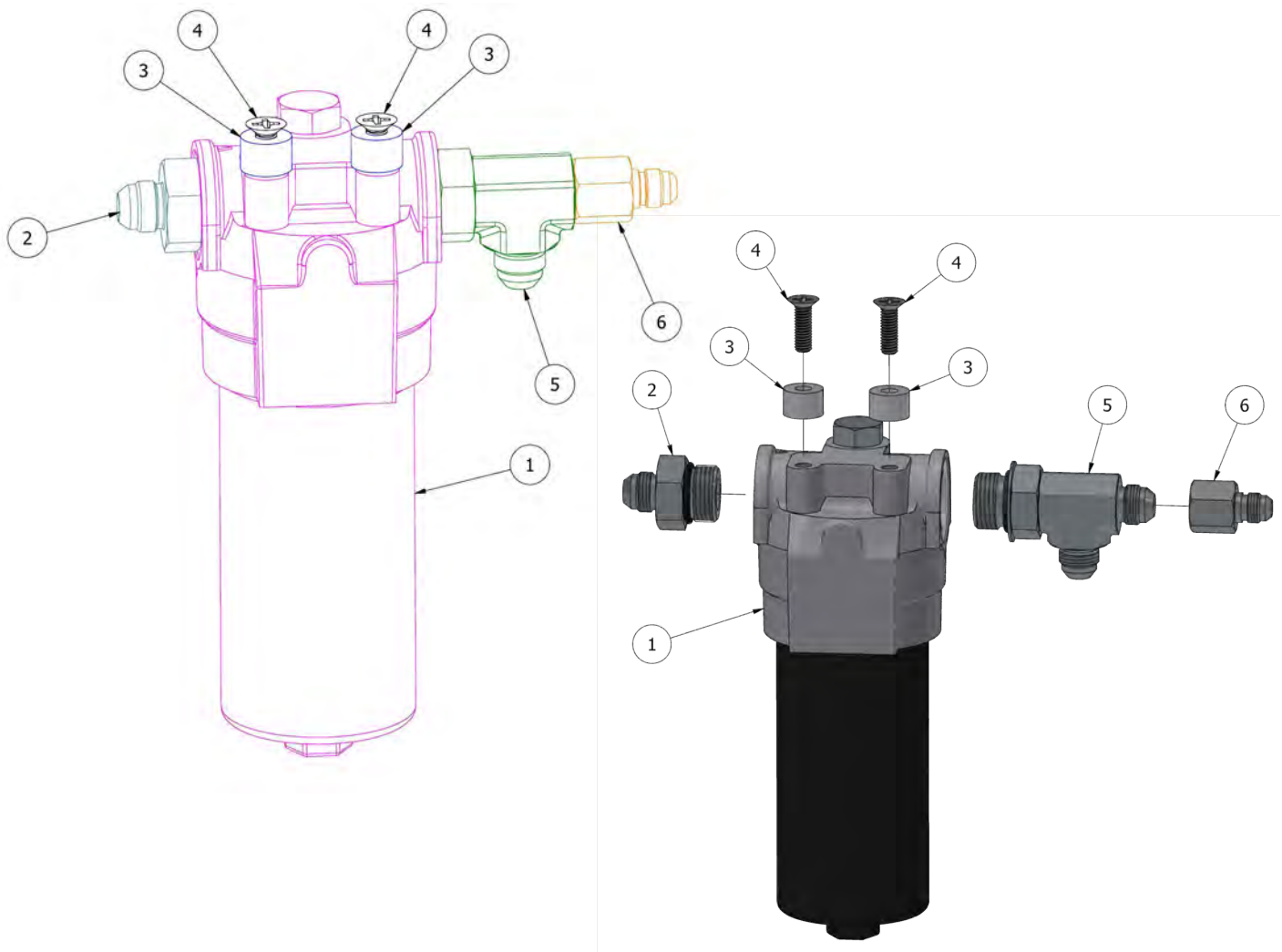


ITEM	QTY	PART NUMBER	DESCRIPTION
1	1	780-274.3.7.1	MANIFOLD, DAMAN, STD. FLOW, PARALLEL, ASSEMBLY
2	1	780-274.3.7.3	PRESSURE RELIEF VALVE, ARGO-HYTOS
3	2	780-274.3.7.6	FITTING, HYDRAULIC, PLUG, -10
4	1	780-274.3.3.4	FITTING, HYD, STRAIGHT ORB-JIC, 8-10
5	1	780-274.3.7.9	FITTING, HYD, 90 DEG, ORB-JIC, 8-10
6	2	780-274.3.7.7	FITTING, HYD, STRAIGHT ORB-JIC, 6-8
7	1	780-274.3.7.2	DAMAN D03 TAPPING PLATE
8	2	780-274.3.7.4	ASHCROFT PRESSURE TRANSDUCER
9	1	780-274.3.7.5	DIRECTIONAL CONTROL VALVE, 3/4, SOL. OP.
10	8	780-274.3.7.10	O-RING, REPLACEMENT, VITON, 90A, -012
11	4	780-274.3.7.11	SCREW, CAP, SOCKET HEAD, 10-24 X 3-1/2"
12	2	780-274.3.7.12	FITTING, HYD, SWIVEL, 90DEG, 6-6
13	4	022-313	SCREW, MACHINE, 5/16"-18 x 1", PHP, FH, ZPS
14	4	040-431	NUT, LOCK, 5/16"-18, GR.5, ZPS

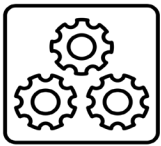


PARTS

### Hydraulics Assembly - Filter

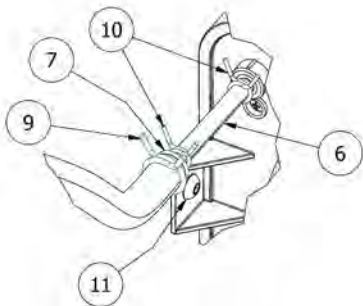
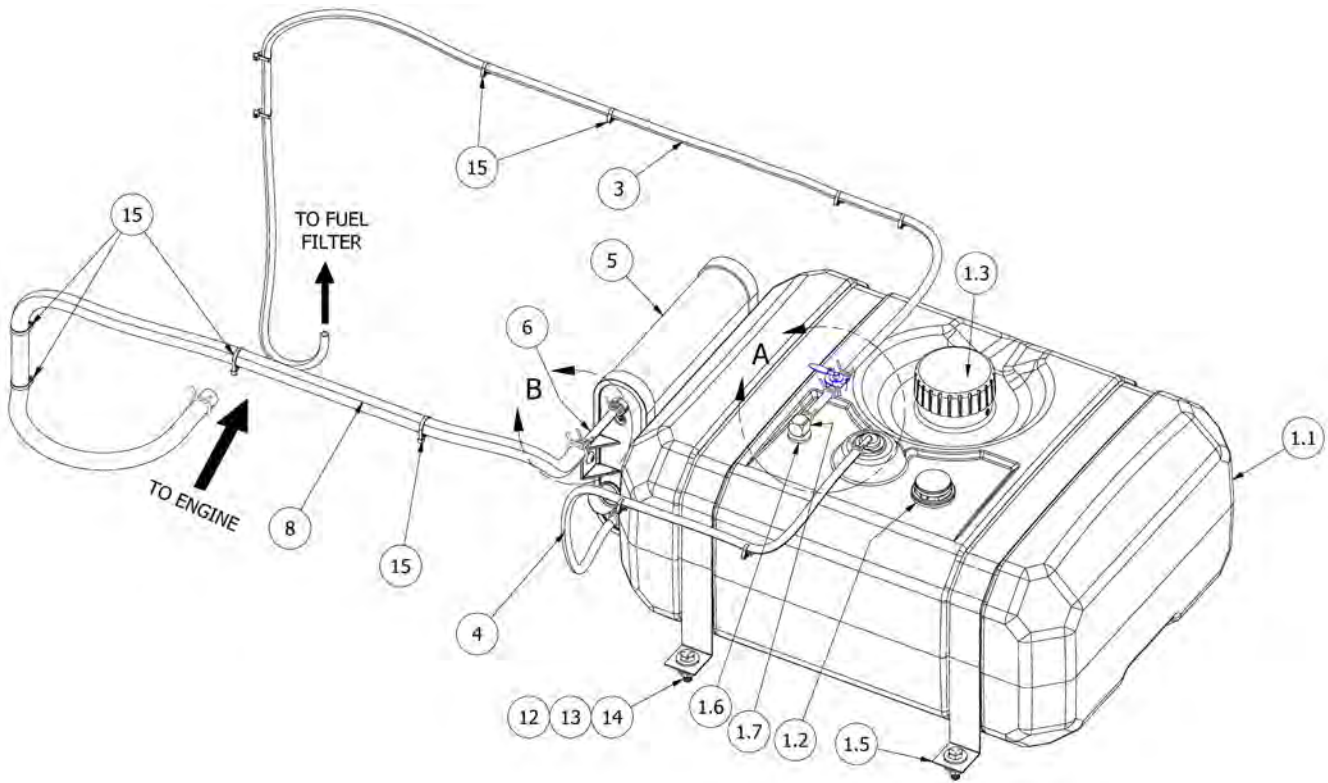


ITEM	QTY	PART NUMBER	DESCRIPTION
1	1	780-274.3.8.1	FILTER, HYDRAULIC, MEDIUM PRESSURE
2	1	780-274.3.8.2	FITTING, HYD, STRAIGHT ORB-JIC, 8-12
3	2	780-256	SPACER, ALUMINUM, 5/16" ID x 3/4" OD x 1/2" LONG
4	2	022-313	SCREW, MACHINE, 5/16"-18 x 1", PHP, FH, ZPS
5	1	780-274.3.8.5	FITTING, HYD, TEE, ORB-JIC, 8-12-8
6	1	780-274.3.8.6	FITTING, HYD, STRAIGHT 37 FLARE, ADAPTER, 8-6
7	1	780-274.3.8.7	FILTER ELEMENT - REPLACEMENT

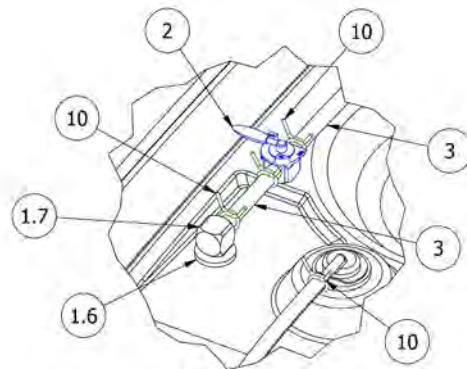


PARTS

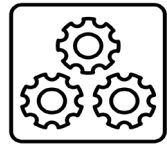
# Fuel System Assembly



DETAIL B  
SCALE 0.40 : 1



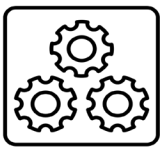
DETAIL A  
SCALE 0.34 : 1



PARTS

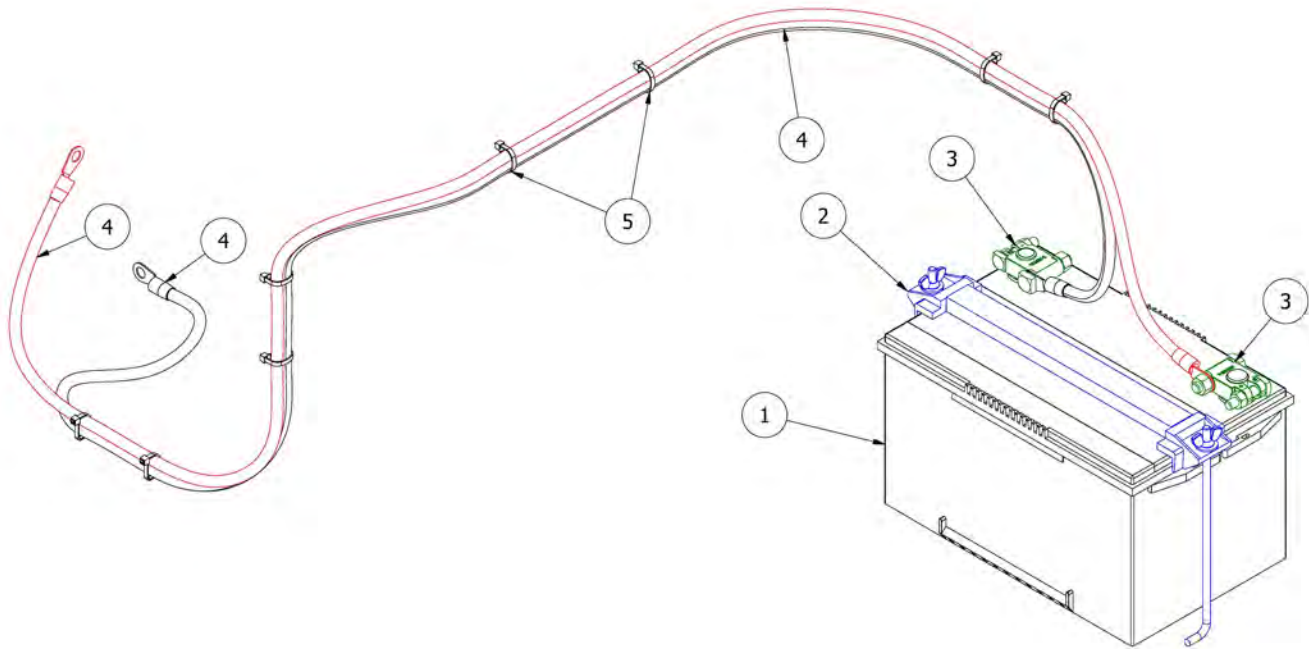
## Fuel System BOM

FUEL SYSTEM PARTS LIST (780-204.4)			
ITEM	QTY	PART NUMBER	DESCRIPTION
1	1	780-259.1	12 GALLON CARB ASSY KIT
1.1	1	780-259.1.1	TANK, FUEL, 12gal.
1.2	1	780-259.1.2	FUEL GAUGE WITH SEAL (INSTALLED)
1.3	1	780-259.1.3	FUEL CAP, 12 GAL. (INSTALLED)
1.4	1	780-259.1.4	FUEL FITTING, 1/4" ROV (INSTALLED)
1.5	2	780-259.1.5	TANK, STRAPS, 12GAL.
1.6	1	780-259.1.6	FUEL BUSHING, 0.362" ID
1.7	1	780-259.1.7	FUEL FITTING, PICK-UP TUBE, 9.74" x 1/4" BARB
2	1	780-262	FUEL FITTING, IN-LINE SHUT-OFF VALVE, 1/4"
3	1	780-259.2	FUEL LINE, 1/4"DIA. x 70", SHUT-OFF TO ENGINE
4	1	780-259.3	FUEL LINE, 1/4"DIA. x 25", TANK TO CARB
5	1	780-259.4	CARBON CANISTER, 1.8L, INTEGRAL MOUNTING
6	1	780-259.5	FUEL LINE, 1/4"DIA. x 3", CARB TO BARB
7	1	780-259.6	HOSE ADAPTER, BARBED, 1/4" x 11mm
8	1	780-259.7	FUEL LINE, 7/16"DIA. x 47", BARB TO ENGINE
9	2	780-259.8	CLAMP, HOSE, SPRING, 7/16"
10	7	780-259.9	CLAMP, HOSE, SPRING, 1/4"
11	2	020-349	SCREW, BUTTON HEAD, 5/16"-18 x 7/16", SS
12	4	040-138	NUT, HEX, 3/8"-16 UNC, ZPS
13	8	041-138	WASHER, FLAT, 3/8" x 1" OD GP, ZPS
14	4	020-492	SCREW, CAP, HEX HEAD, 3/8"-16 x 1-1/4", GR.5, ZPS
15	12	043-002	CABLE TIE, 6" LONG, BLACK NYLON



PARTS

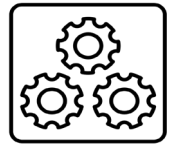
### Battery Assembly



### Battery BOM

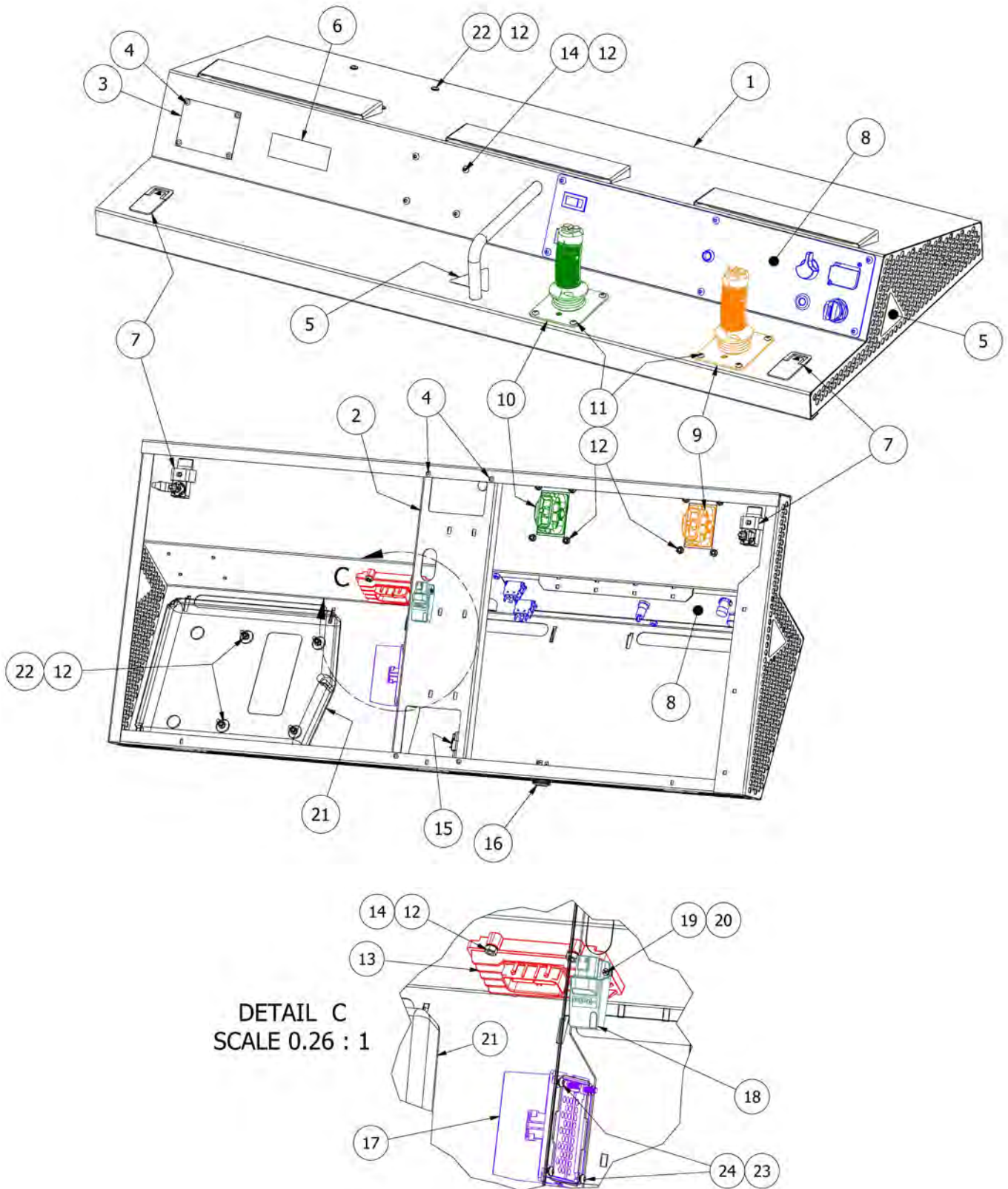
BATTERY ASSEMBLY PARTS LIST			
ITEM	QTY	PART NUMBER	DESCRIPTION
1	1	780-230	BATTERY, 12V, ROLLER SCREED
2	1	780-261	LARGE-CELL BATTERY HOLD-DOWN
3	2	780-263	BATTERY TERMINAL, MIL SPEC, TOP POST SET w/ COVER
4	2	780-264	BATTERY CABLE, 6' X 4AWG, 3/8" RING TERMINALS
5	8	043-002	CABLE TIE, 6" LONG, BLACK NYLON

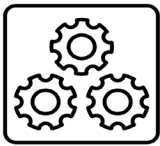




PARTS

# End Frame - Control Panel Assembly



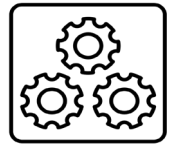


PARTS



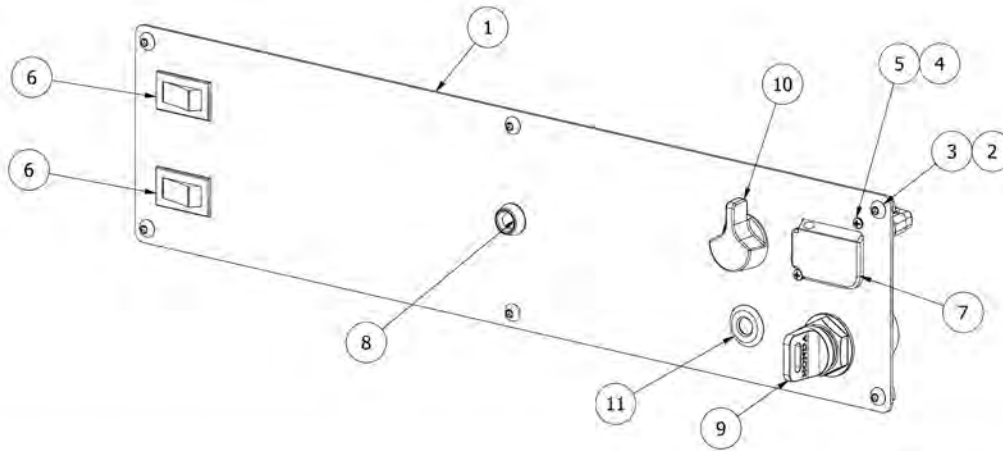
## End Frame – Control Panel BOM

CONTROL PANEL ASSEMBLY PARTS LIST			
ITEM	QTY	PART NUMBER	DESCRIPTION
1	1	780-204.6.1	CONTROL PANEL WELDMENT
2	1	780-204-6.2	CONTROL PANEL, GUSSET
3	1	580-930	SERIAL NO. PLATE "SPEED SCREED EQUIPMENT DIV."
4	8	047-216	RIVET - BLIND - 3/16" DIA. X .25-.375 LG- ALUMINUM
5	3	017-903	DECAL: HAND CRUSH
6	1	017-904	DECAL: WARNING, MANUAL
7	2	780-234	LATCH, COMPRESSION, LIFT & TURN, ZPS, BLACK
8	1	780-204.6.9	DISPLAY PANEL ASSEMBLY
9	1	780-204.6.10	JOYSTICK ASSEMBLY, DRIVE
10	1	780-204.6.11	JOYSTICK ASSEMBLY, SLINGER
11	8	020-103	SCREW, BUTTON HEAD, 1/4"-20 x 3/8", ZPS
12	16	020-424	NUT, LOCK, EXTERNAL-TOOTH, 1/4"-20, ZPS
13	4	020-107	SCREW, BUTTON HEAD, 1/4"-20 x 7/8", ZPS
14	1	780-274.6.16	(WIRE HARNESS) GROUNDING TERMINAL ASSEMBLY
15	1	780-274.6.17	BUZZER, 12 VDC, 97dB, 1-1/8" PANEL MOUNT
16	1	780-274.6.18	FUSE & RELAY TERMINAL
17	1	780-274.6.14	MASTER CONTROLLER, IQAN-MC41
18	2	022-152	SCREW, BUTTON HEAD, #6-32 x 3/8", ZPS
19	2	040-409	NUT, LOCK, EXTERNAL-TOOTH, #6-32, ZPS
20	1	780-236	MANUAL HOLDER
21	4	020-104	SCREW, BUTTON HEAD, 1/4"-20 x 1/2", ZPS
22	4	042-119	WASHER, LOCK, SPLIT (SPRING), #10, ZPS
23	4	022-166	SCREW, BUTTON HEAD, #10-32 X 1/2", ZPS
24	1	780-274.6.19	PARKER IQAN G11 PORT
25	1	780-258	CLAMP, CABLE, LOOP, SNUG, 3/8" ID X 1/2" WIDE



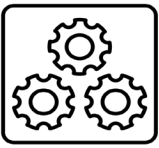
PARTS

## Display Panel Assembly



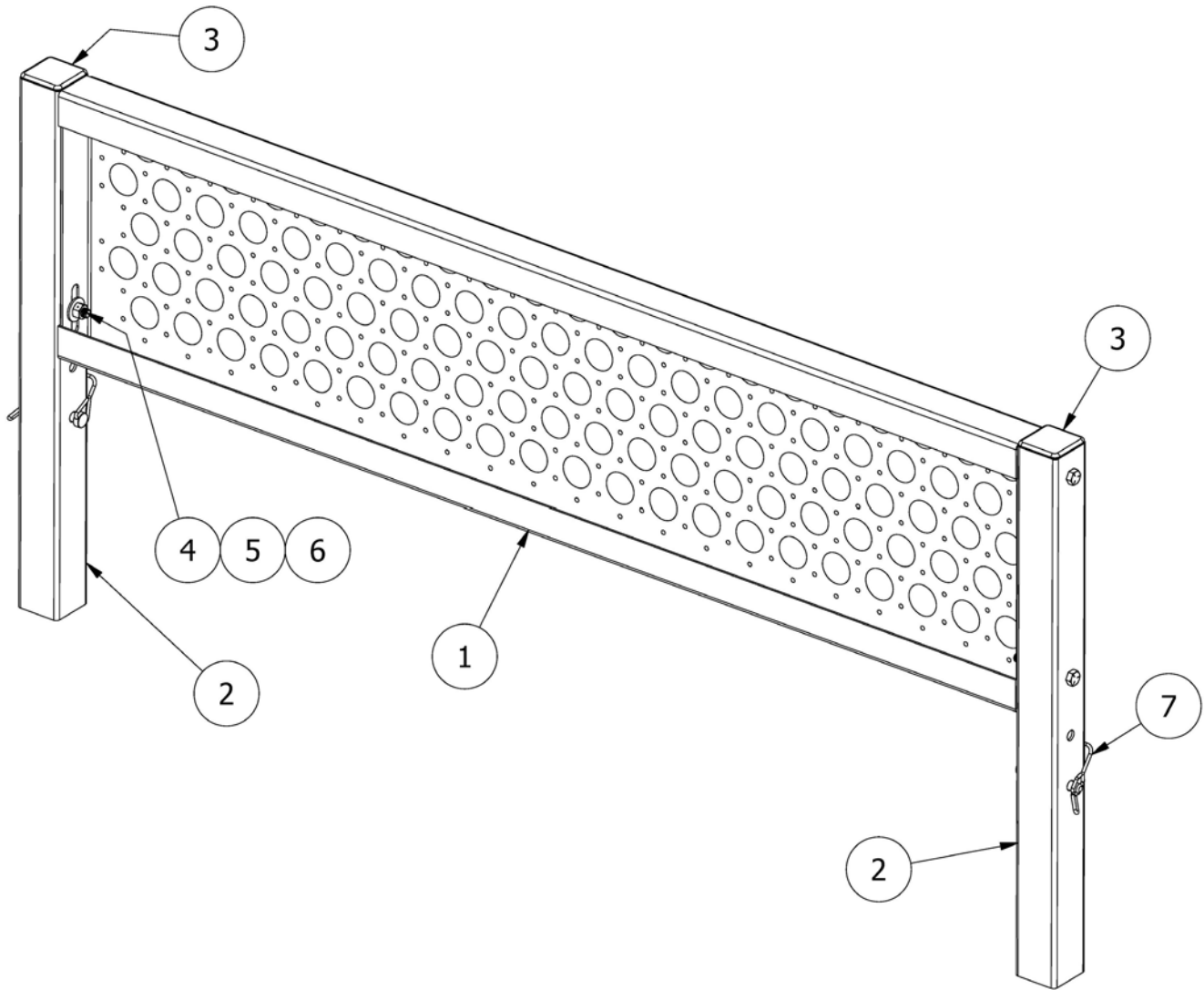
## Display Panel BOM

DISPLAY PANEL ASSEMBLY PARTS LIST			
ITEM	QTY	PART NUMBER	DESCRIPTION
1	1	780-239	DISPLAY PANEL MOUNTING PLATE
2	6	020-424	NUT, LOCK, EXTERNAL-TOOTH, 1/4"-20, ZPS
3	6	020-103	SCREW, BUTTON HEAD, 1/4"-20 x 3/8", ZPS
4	2	040-409	NUT, LOCK, EXTERNAL-TOOTH, #6-32, ZPS
5	2	022-152	SCREW, BUTTON HEAD, #6-32 x 3/8", ZPS
6	2	780-274.X	SWITCH, ROCKER, SPDT, 1NO, 1NC
7	1	780-63.3	HOUR/OIL METER
8	1	780-274.X	LED, 12V, GREEN, PANEL MOUNT
9	1	780-63.4	IGNITION ASSEMBLY, HONDA iGX700
10	1	780-63.5	HONDA THROTTLE CONTROL
11	1	780-63.6	HONDA ENGINE LED



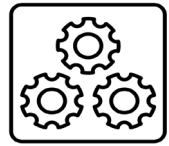
PARTS

Platform Assembly



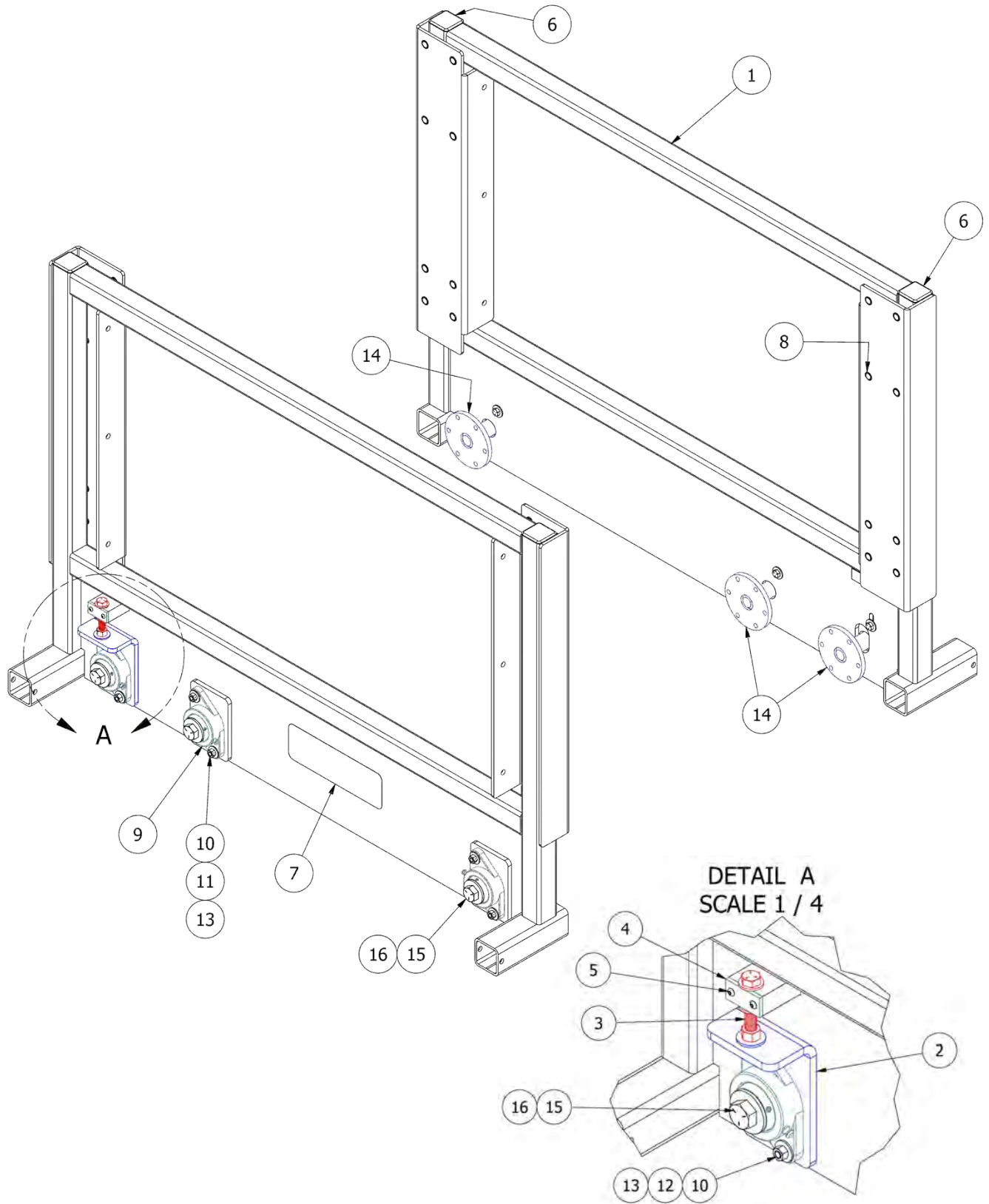
Platform BOM

PLATFORM ASSEMBLY PARTS LIST			
ITEM	QTY	PART NUMBER	DESCRIPTION
1	1	780-246	PLATFORM, PLANK GRATING, STAIR TREAD
2	2	013-225	TUBE, 2" SQ., TELESCOPING, GALVANIZED x 23-3/4"
3	2	780-245	CAP, END, 2"X2"
4	4	020-427	SCREW, CAP, HEX HEAD, 3/8"-16 x 2-3/4", GR.5, ZPS
5	4	041-138	WASHER, FLAT, 3/8" x 1" OD GP, ZPS
6	4	040-438	NUT, LOCK, 3/8"-16, GR.A, ZPS
7	2	046-634	PIN, CLEVIS, WIRE LOCK, 3/8"x2-1/2", ZPS



PARTS

# End Frame - Lite (Idler) Assembly



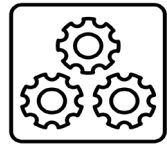


PARTS

### End Frame – Lite (Idler) BOM

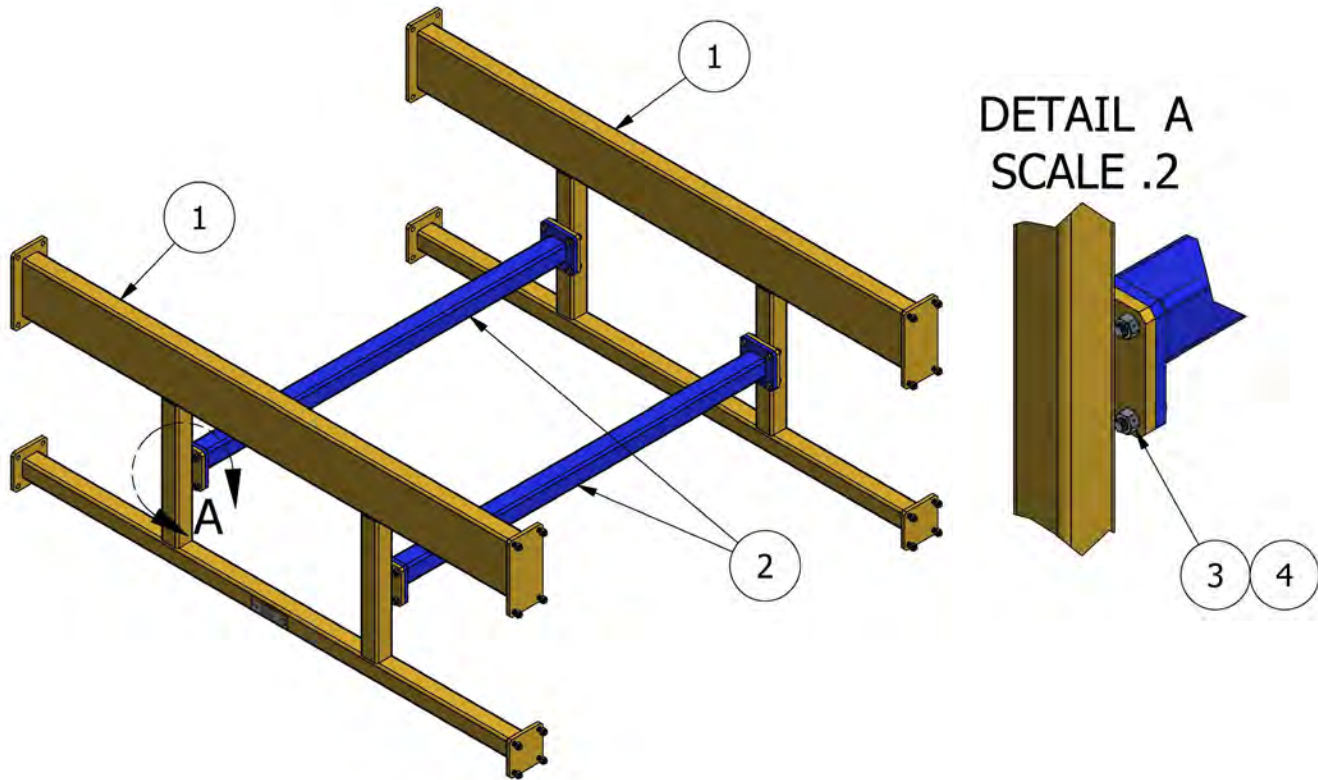


END FRAME - LITE (IDLER) PARTS LIST			
ITEM	QTY	PART NUMBER	DESCRIPTION
1	1	780-205.1	END FRAME WELDMENT, IDLER (LITE), RS
2	1	780-205.2	BEARING MOUNT PLATE, ADJUSTABLE, WLDMNT
3	1	780-204.20	ROLLER ADJUSTMENT BOLT
4	1	780-204.22	ROLLER ADJUSTMENT COVER
5	2	022-163	SCREW, BUTTON HEAD, #10-24 x 1/2", ZPS
6	2	780-245	CAP, END, 2"X2"
7	1	580-818	DECAL: MANUFACTURED BY MFC
8	16	040-938	NUT, RIVET, 3/8"-16, ZPS
9	3	780-44	BEARING, FLANGE MOUNT, 1-1/4" BORE
10	6	020-426	SCREW, CAP, HEX HEAD, 3/8"-16 X 1-3/4", ZPS
11	4	040-438	NUT, LOCK, 3/8"-16, GR.A, ZPS
12	2	040-138	NUT, HEX, 3/8"-16 UNC, ZPS
13	12	041-138	WASHER, FLAT, 3/8" x 1" OD GP, ZPS
14	3	780-242	SHAFT WELDMENT, LITE (IDLER)
15	3	020-794	SCREW, CAP, HEX HEAD, 3/4"-10 x 1", GR.5, ZPS
16	3	041-075	WASHER, FLAT, 3/4", ZPS



PARTS

## Support Frame Assembly

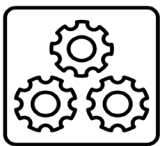


## Support Frame BOM

SUPPORT FRAME ASSEMBLY PARTS LIST			
ITEM	QTY	PART NUMBER	DESCRIPTION
1	2	780-005.1	FRAME, SUPPORT, SIDE, 5' EXT
1*	2	780-006.1	FRAME, SUPPORT, SIDE, 6' EXT
1*	2	780-007.1	FRAME, SUPPORT, SIDE, 7' EXT
1*	2	780-008.1	FRAME, SUPPORT, SIDE, 8' EXT
1*	2	780-009.1	FRAME, SUPPORT, SIDE, 9' EXT
1*	2	780-010.1	FRAME, SUPPORT, SIDE, 10' EXT
2	2	780-005.2	FRAME, SUPPORT, HORIZONTAL
2*	2	780-005.2L	FRAME, SUPPORT, HORIZONTAL, LIFT
3	32	040-438	NUT, LOCK, 3/8"-16, GR.A, ZPS
4	32	020-492	SCREW, CAP, HEX HEAD, 3/8"-16 x 1-1/4", GR.5, ZPS

\*Items not shown in drawing

\*Hardware quantities are based on a 5' extension



PARTS



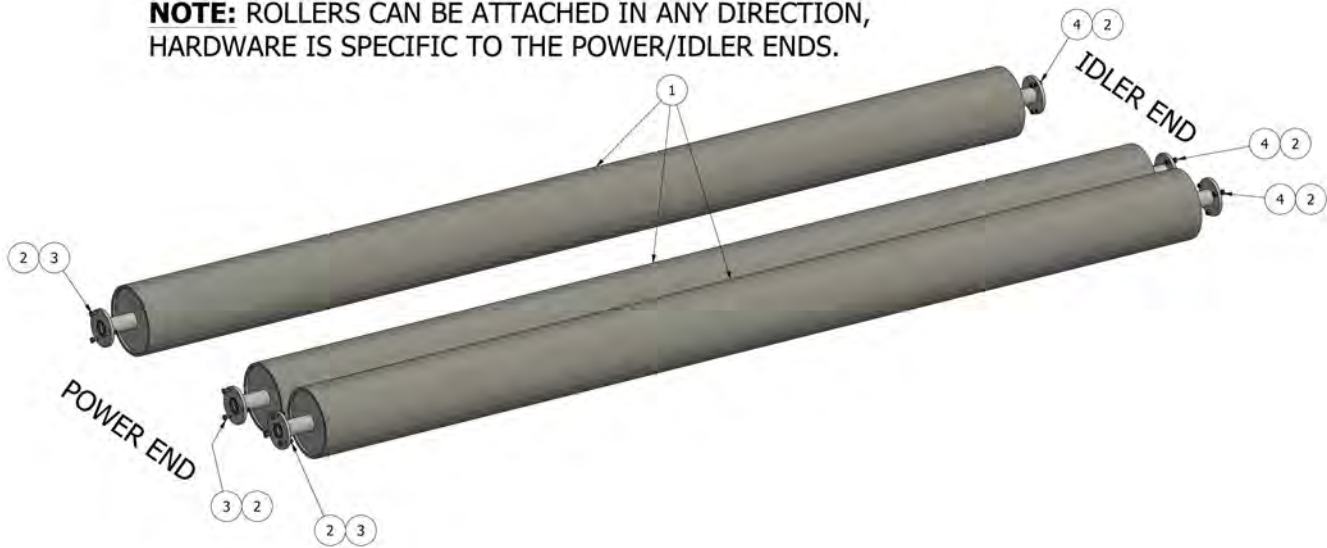
SUPPORT FRAME ASSEMBLY PARTS LIST			
ITEM	QTY	PART NUMBER	DESCRIPTION
1	2	780-005.1	FRAME, SUPPORT, SIDE, 5' EXT
1*	2	780-006.1	FRAME, SUPPORT, SIDE, 6' EXT
1*	2	780-007.1	FRAME, SUPPORT, SIDE, 7' EXT
1*	2	780-008.1	FRAME, SUPPORT, SIDE, 8' EXT
1*	2	780-009.1	FRAME, SUPPORT, SIDE, 9' EXT
1*	2	780-010.1	FRAME, SUPPORT, SIDE, 10' EXT
2	2	780-005.2	FRAME, SUPPORT, HORIZONTAL
2*	2	780-005.2L	FRAME, SUPPORT, HORIZONTAL, LIFT
3	32	040-438	NUT, LOCK, 3/8"-16, GR.A, ZPS
4	32	020-492	SCREW, CAP, HEX HEAD, 3/8"-16 x 1-1/4", GR.5, ZPS

\*Items not shown in drawing

\*Hardware quantities are based on a 5' extension

Roller Assembly

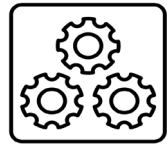
**NOTE:** ROLLERS CAN BE ATTACHED IN ANY DIRECTION, HARDWARE IS SPECIFIC TO THE POWER/IDLER ENDS.



Roller BOM

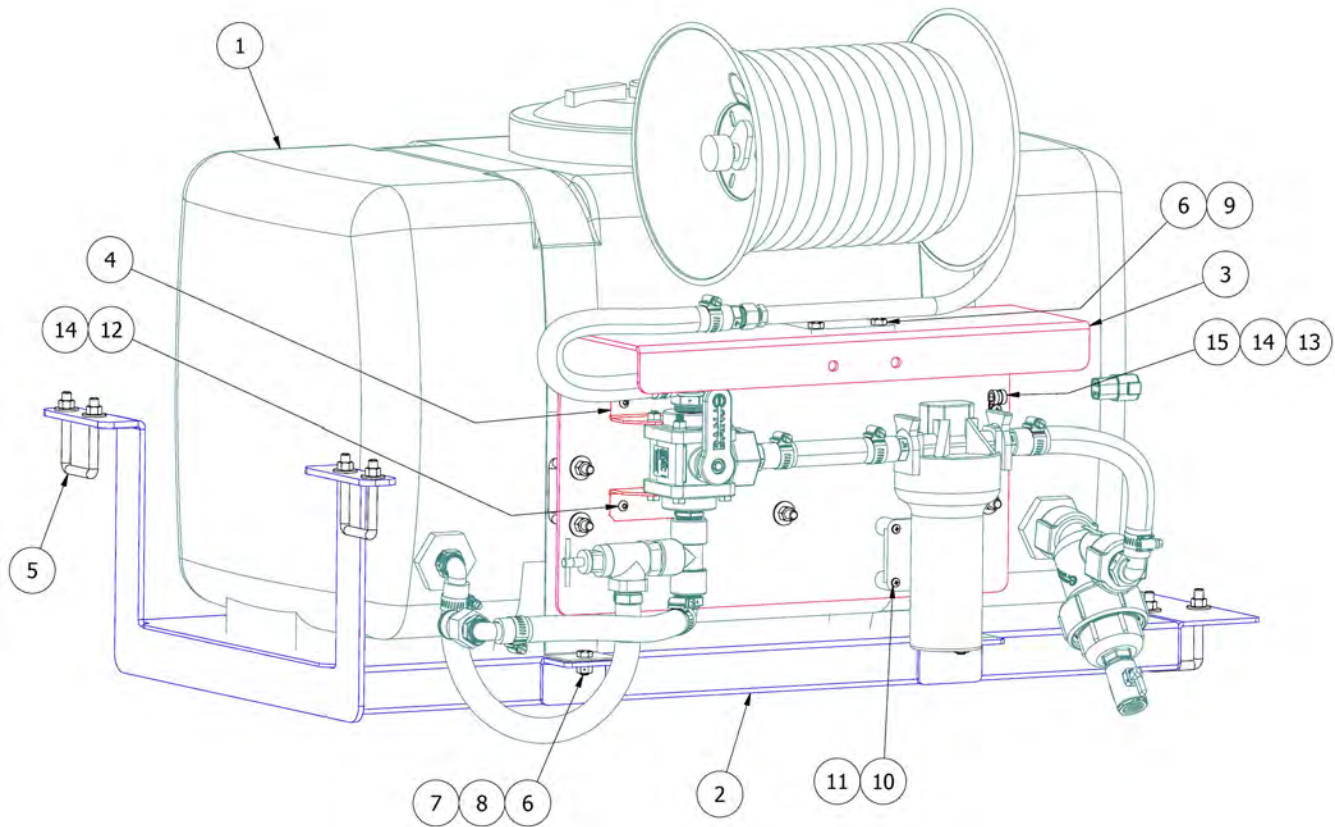
ROLLER ASSEMBLY KIT PARTS LIST (780-020 & 780-030)			
ITEM	QTY	PART NUMBER	DESCRIPTION
1	3	780-0X0.1	ROLLER, WELDMENT
2	18	040-438	NUT, LOCK, 3/8"-16, GR.A, ZPS
3	9	020-435	SCREW, CAP, HEX HEAD, 3/8"-16 x 1-1/2", GR.8, ZPS
4	9	020-498	SCREW, CAP, HEX HEAD, 3/8"-16 x 1-1/4", GR.8, ZPS





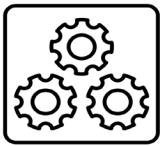
PARTS

## Spray System, Tank/Pump Assembly (Option)



## Spray System, Tank/Pump Assembly BOM

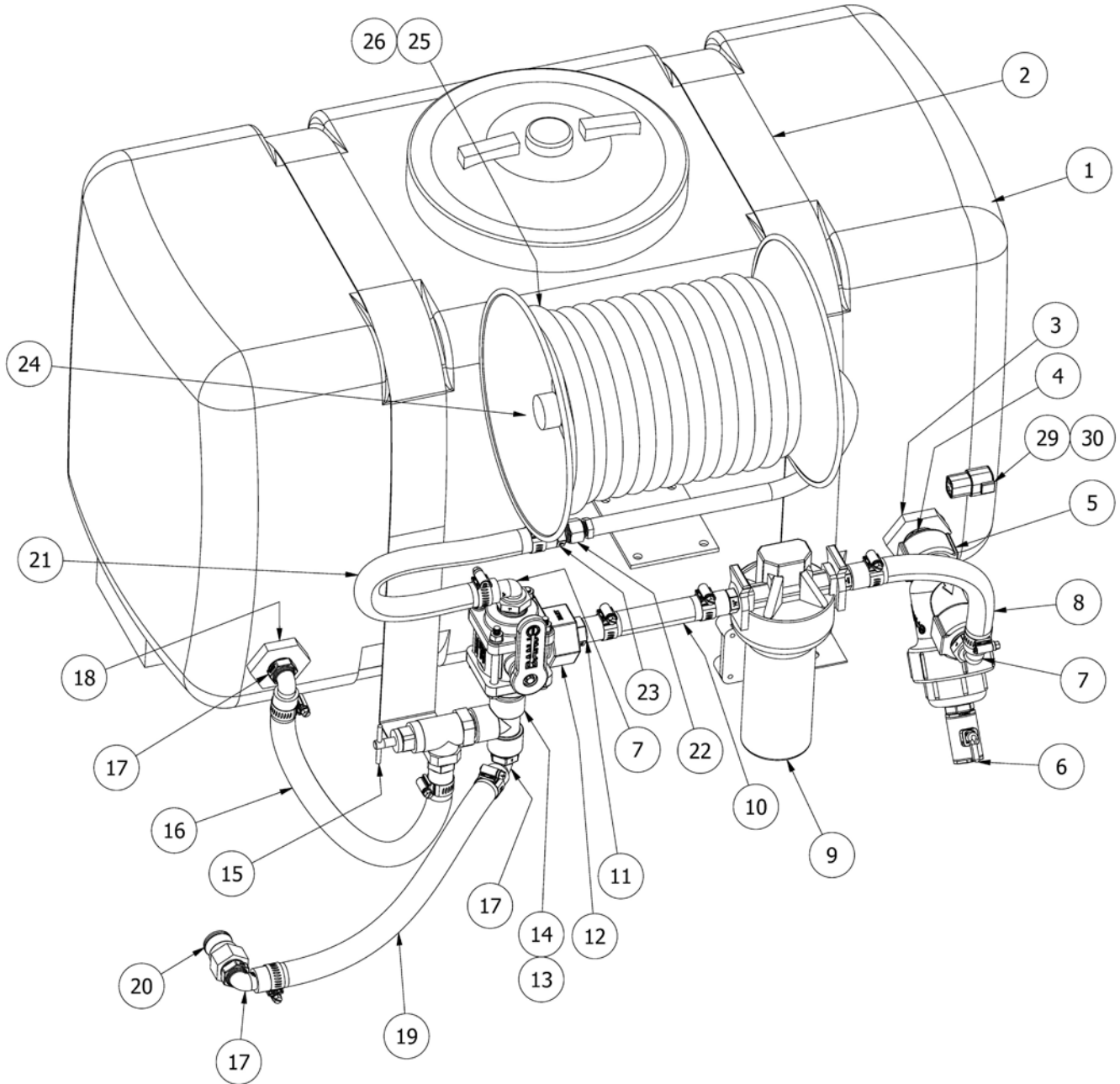
SPRAY SYSTEM PUMP/TANK ASSEMBLY PARTS LIST (780-100)			
ITEM	QTY	PART NUMBER	DESCRIPTION
1	1	780-100P	SPRAY SYSTEM, TANK/PUMP COMPONENTS
2	1	780-100.1	SPRAY SYSTEM, TANK SKID WELDMENT
3	1	780-100.2	SPRAY SUPPORT BRACKET
4	2	780-100.3	BANJO 4-BOLT EXTENDED BALL VALVE BRACKET
5	7	044-702	BOLT, U (SHAPED SQ-BEND W/ NUTS), 3/8"-16 x 2"(C) x 3"(L), ZPS
6	8	020-475	SCREW, CAP, HEX HEAD, 3/8"-16 X 3/4", ZPS, GR.A
7	4	040-438	NUT, LOCK, 3/8"-16, GR.A, ZPS
8	4	041-138	WASHER, FLAT, 3/8" x 1" OD GP, ZPS
9	4	040-138	NUT, HEX, 3/8"-16 UNC, ZPS
10	4	022-195	SCREW, MACHINE, #10-24 x 1-1/2", PHP, ZPS
11	4	040-410	NUT, LOCK, EXTERNAL-TOOTH, #10-24, ZPS
12	4	020-107	SCREW, BUTTON HEAD, 1/4"-20 x 7/8", ZPS
13	1	020-104	SCREW, BUTTON HEAD, 1/4"-20 x 1/2", ZPS
14	5	020-424	NUT, LOCK, EXTERNAL-TOOTH, 1/4"-20, ZPS
15	1	780-258	CLAMP, CABLE, LOOP, SNUG, 3/8" ID X 1/2" WIDE

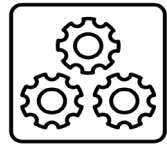


PARTS



### Spray System, Tank/Pump Components Assembly (Option)

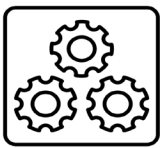




PARTS

## Spray System Tank/Pump Components BOM

SPRAY SYSTEM TANK/PUMP COMPONENTS PARTS LIST (780-100P)			
ITEM	QTY	PART NUMBER	DESCRIPTION
1	1	780-100P.1	TANK, 50 GALLON, PCO
2	2	780-100P.2	TANK STRAP, 50gal, PCO
3	1	780-100P.3	BULKHEAD FITTING, 1" NPT, FEMALE
4	1	780-100P.4	BANJO CLOSE NIPPLE, 1"
5	1	780-100P.5	STRAINER, 1" POLY, Y
6	1	780-100P.6	1/2" FEMALE x MALE NPT MICRO VALVE
7	2	780-100P.7	1" NPT THD X 3/4" 90 HOSE BARB
8	1	780-100P.8	HOSE, 3/4" x 9-7/8", REINFORCED, TANK (OUT) - PUMP (IN)
9	1	780-100P.9	PUMP, 12V, 6 GPM @70 PSI, 3/4" PORTS
10	1	780-100P.10	HOSE, 3/4" x 6-1/2", PUMP (OUT) - 3-WAY VALVE (IN)
11	2	780-100P.11	3/4" NPT THREAD X 3/4" HOSE BARB
12	1	780-100P.12	3-WAY VALVE, 3/4" FPT, 1" PORT-SIDE LD
13	1	780-100P.13	3/4" SHORT PIPE NIPPLE
14	1	780-100P.14	FITTING, 3/4" NPT, TEE
15	1	780-100P.15	PRESSURE REGULATOR, POLY, 0-400 PSI
16	1	780-100P.16	HOSE, 3/4" x 16-3/4", 3-WAY VALVE (OUT-1) - TANK (IN)
17	3	780-100P.17	POLY 90 DEG. HOSE BARB, 3/4" MPT x 3/4" BARB
18	1	780-100P.18	BULKHEAD FITTING, 3/4" NPT, FEMALE
19	1	780-100P.19	HOSE, 3/4" x 20-3/8", 3-WAY VALVE (OUT-2) - BOOM (IN)
20	1	780-100P.20	3/4" MALE ADAPTER x 3/4" FPT
21	1	780-100P.21	HOSE, 3/4" x 15-7/8", 3-WAY VALVE (OUT-3) - HOSE REEL (IN)
22	1	780-100P.22	PIPE FITTING, 1/2" FPT x 3/8" MPT, REDUCER
23	3	780-100P.23	1/2" NPT THREAD X 3/4" HOSE BARB
24	1	780-100P.24	REEL, AP, 100ft x 3/8"
25	1	780-100P.25	HOSE, GARDEN, 5/8" x 50'
26	1	780-100P.26	HOSE SPRAY NOZZLE (NOT SHOWN)
27	10	780-100P.27	CLAMP, WORM-DRIVE, H-16 BAND (3/4"-1-1/2")
28	1	780-100P.28	BANJO, 3/4" FEMALE CAP (NOT SHOWN)
29	1	780-100P.29	WIRE, DISCONNECT, DEUTSCH, MALE
30	1	780-100P.30	CABLE, 12/3 x 33', SJTW (NOT SHOWN)

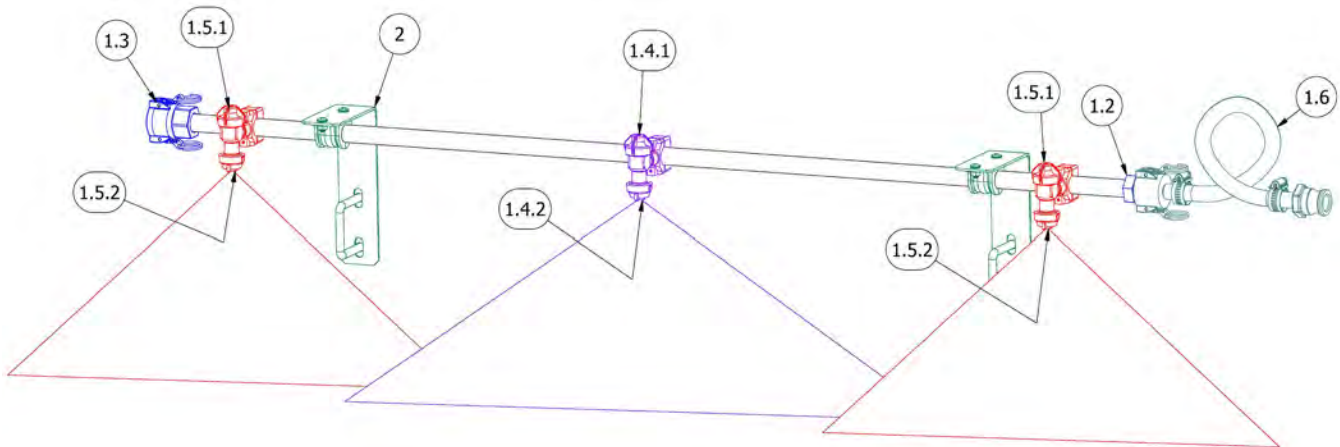


PARTS

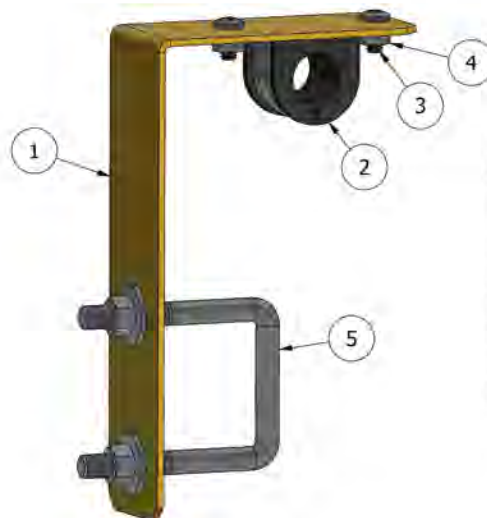


Spray System, Boom Assembly (Option)

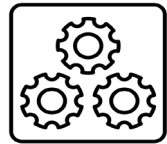
SPRAY SYSTEM BOOM LENGTH PARTS NUMBERS	
PART NUMBER	DESCRIPTION
780-105	SPRAY SYSTEM, BOOM ASSEMBLY, 5'
780-106	SPRAY SYSTEM, BOOM ASSEMBLY, 6'
780-107	SPRAY SYSTEM, BOOM ASSEMBLY, 7'
780-108	SPRAY SYSTEM, BOOM ASSEMBLY, 8'
780-109	SPRAY SYSTEM, BOOM ASSEMBLY, 9'
780-110	SPRAY SYSTEM, BOOM ASSEMBLY, 10'



SPRAY BOOM BRACKET ASSY PARTS LIST (780-10X.1)				
ITEM	QTY	PART NUMBER	DESCRIPTION	DWG#
1	1	780-10X.1.1	SPRAY BOOM MOUNTING BRACKET	9931.1
2	1	048-405	CLAMP, VIBRATION-DAMPING ROUTING, 1/2" PIPE ID	PURCH
3	2	020-104	SCREW, BUTTON HEAD, 1/4"-20 x 1/2", ZPS	PURCH
4	2	020-424	NUT, LOCK, EXTERNAL-TOOTH, 1/4"-20, ZPS	PURCH
5	1	044-702	BOLT, U (SHAPED SQ-BEND W/ NUTS), 3/8"-16 x 2"(C) x 3"(L), ZPS	PURCH



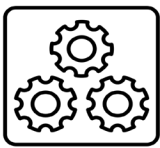
QTY PER BOOM LENGTH	
BOOM LENGTH	QTY REQ'D
5'	2
6'	3
7'	3
8'	4
9'	4
10'	5



PARTS

## Spray System, Boom Assembly BOM

SPRAY BOOM ASSEMBLY, 5' PARTS LIST (780-105)			
ITEM	QTY	PART NUMBER	DESCRIPTION
1	1	780-105P	SPRAY BOOM, 5', PURCHASED
1.2	1	780-105P.2	BANJO 3/4" MALE COUPLER x 1/2" FEMALE THREAD
1.3	1	780-105P.3	BANJO 3/4" FEMALE COUPLER x 1/2" FEMALE THREAD
1.4	1	780-105P.4	QUICK TEEJET NOZZLE ASSEMBLY, 110 DEG.
1.4.1	1	780-105P.4.1	SPLIT-EYELET QUICK TEEJET NOZZLE BODY ASSY
1.4.2	1	780-105P.4.2	UNIJET TIP, BRASS, 110 DEG -01
1.5	2	780-105P.5	QUICK TEEJET NOZZLE ASSEMBLY, 95 DEG. <b>(EACH END)</b>
1.5.1	2	780-105P.4.1	SPLIT-EYELET QUICK TEEJET NOZZLE BODY ASSY
1.5.2	2	780-105P.5.1	UNIJET TIP, BRASS, 95 DEG -01
1.6	1	780-10XP	BOOM COUPLING ASSEMBLY
2	2	780-10X.1	SPRAY BOOM BRACKET ASSEMBLY
SPRAY BOOM ASSEMBLY, 6' PARTS LIST (780-106)			
ITEM	QTY	PART NUMBER	DESCRIPTION
1	1	780-106P	SPRAY BOOM, 6', PURCHASED
1.2	1	780-105P.2	BANJO 3/4" MALE COUPLER x 1/2" FEMALE THREAD
1.3	1	780-105P.3	BANJO 3/4" FEMALE COUPLER x 1/2" FEMALE THREAD
1.4	3	780-105P.4	QUICK TEEJET NOZZLE ASSEMBLY, 110 DEG.
1.4.1	3	780-105P.4.1	SPLIT-EYELET QUICK TEEJET NOZZLE BODY ASSY
1.4.2	3	780-105P.4.2	UNIJET TIP, BRASS, 110 DEG -01
1.6	1	780-10XP	BOOM COUPLING ASSEMBLY
2	3	780-10X.1	SPRAY BOOM BRACKET ASSEMBLY
SPRAY BOOM ASSEMBLY, 7' PARTS LIST (780-107)			
ITEM	QTY	PART NUMBER	DESCRIPTION
1	1	780-107P	SPRAY BOOM, 7', PURCHASED
1.2	1	780-105P.2	BANJO 3/4" MALE COUPLER x 1/2" FEMALE THREAD
1.3	1	780-105P.3	BANJO 3/4" FEMALE COUPLER x 1/2" FEMALE THREAD
1.4	2	780-105P.4	QUICK TEEJET NOZZLE ASSEMBLY, 110 DEG.
1.4.1	2	780-105P.4.1	SPLIT-EYELET QUICK TEEJET NOZZLE BODY ASSY
1.4.2	2	780-105P.4.2	UNIJET TIP, BRASS, 110 DEG -01
1.5	2	780-105P.5	QUICK TEEJET NOZZLE ASSEMBLY, 95 DEG. <b>(EACH END)</b>
1.5.1	2	780-105P.4.1	SPLIT-EYELET QUICK TEEJET NOZZLE BODY ASSY
1.5.2	2	780-105P.5.1	UNIJET TIP, BRASS, 95 DEG -01
1.6	1	780-10XP	BOOM COUPLING ASSEMBLY
2	3	780-10X.1	SPRAY BOOM BRACKET ASSEMBLY

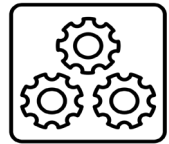


PARTS



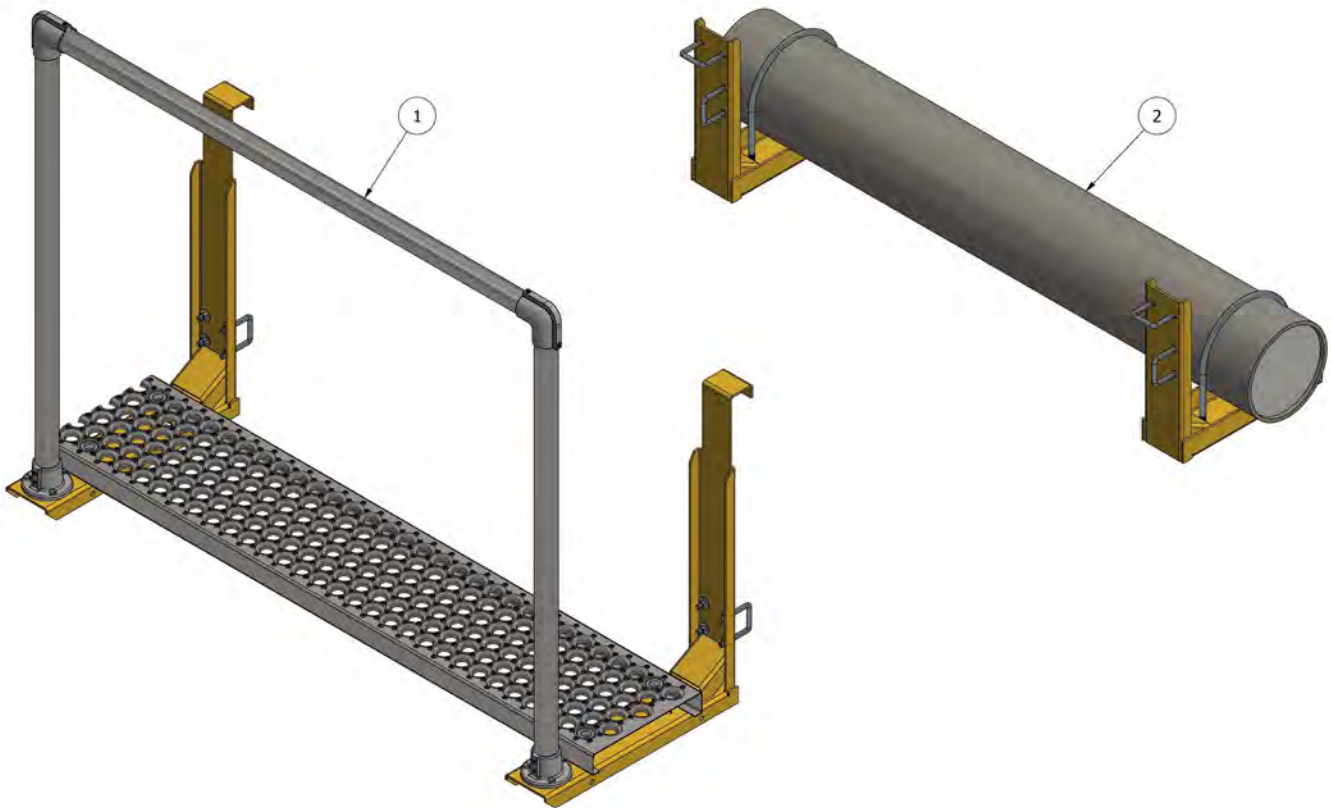
Spray System, Boom Assembly BOM (Continued)

SPRAY BOOM ASSEMBLY, 8' PARTS LIST (780-108)			
ITEM	QTY	PART NUMBER	DESCRIPTION
1	1	780-108P	SPRAY BOOM, 8', PURCHASED
1.2	1	780-105P.2	BANJO 3/4" MALE COUPLER x 1/2" FEMALE THREAD
1.3	1	780-105P.3	BANJO 3/4" FEMALE COUPLER x 1/2" FEMALE THREAD
1.4	4	780-105P.4	QUICK TEEJET NOZZLE ASSEMBLY, 110 DEG.
1.4.1	4	780-105P.4.1	SPLIT-EYELET QUICK TEEJET NOZZLE BODY ASSY
1.4.2	4	780-105P.4.2	UNIJET TIP, BRASS, 110 DEG -01
1.6	1	780-10XP	BOOM COUPLING ASSEMBLY
2	4	780-10X.1	SPRAY BOOM BRACKET ASSEMBLY
SPRAY BOOM ASSEMBLY, 9' PARTS LIST (780-109)			
ITEM	QTY	PART NUMBER	DESCRIPTION
1	1	780-109P	SPRAY BOOM, 9', PURCHASED
1.2	1	780-105P.2	BANJO 3/4" MALE COUPLER x 1/2" FEMALE THREAD
1.3	1	780-105P.3	BANJO 3/4" FEMALE COUPLER x 1/2" FEMALE THREAD
1.4	3	780-105P.4	QUICK TEEJET NOZZLE ASSEMBLY, 110 DEG.
1.4.1	3	780-105P.4.1	SPLIT-EYELET QUICK TEEJET NOZZLE BODY ASSY
1.4.2	3	780-105P.4.2	UNIJET TIP, BRASS, 110 DEG -01
1.5	2	780-105P.5	QUICK TEEJET NOZZLE ASSEMBLY, 95 DEG. <b>(EACH END)</b>
1.5.1	2	780-105P.4.1	SPLIT-EYELET QUICK TEEJET NOZZLE BODY ASSY
1.5.2	2	780-105P.5.1	UNIJET TIP, BRASS, 95 DEG -01
1.6	1	780-10XP	BOOM COUPLING ASSEMBLY
2	4	780-10X.1	SPRAY BOOM BRACKET ASSEMBLY
SPRAY BOOM ASSEMBLY, 10' PARTS LIST (780-110)			
ITEM	QTY	PART NUMBER	DESCRIPTION
1	1	780-110P	SPRAY BOOM, 10', PURCHASED
1.2	1	780-105P.2	BANJO 3/4" MALE COUPLER x 1/2" FEMALE THREAD
1.3	1	780-105P.3	BANJO 3/4" FEMALE COUPLER x 1/2" FEMALE THREAD
1.4	5	780-105P.4	QUICK TEEJET NOZZLE ASSEMBLY, 110 DEG.
1.4.1	5	780-105P.4.1	SPLIT-EYELET QUICK TEEJET NOZZLE BODY ASSY
1.4.2	5	780-105P.4.2	UNIJET TIP, BRASS, 110 DEG -01
1.6	1	780-10XP	BOOM COUPLING ASSEMBLY
5	3	780-10X.1	SPRAY BOOM BRACKET ASSEMBLY



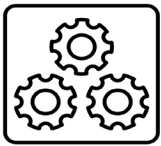
PARTS

### Walkway Assembly, 5' (Option)



### Walkway Assembly, 5' BOM

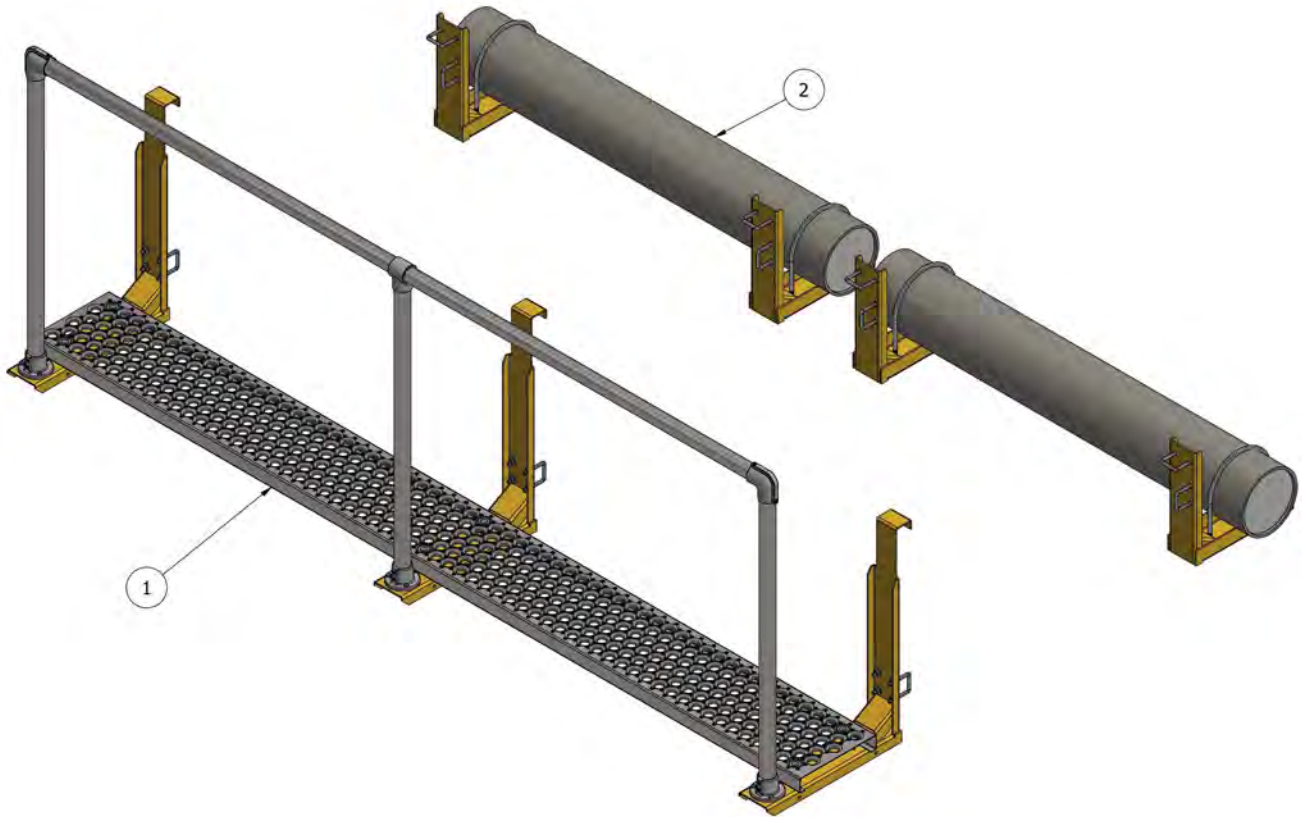
WALKWAY ASSEMBLY, 5' PARTS LIST (780-305)			
ITEM	QTY	PART NUMBER	DESCRIPTION
1	1	780-305.1	WALKWAY, 5' ASSEMBLY
2	1	780-305.3	WALKWAY, BALLAST ASSEMBLY, 5'



PARTS



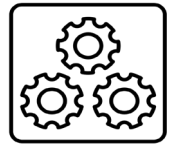
### Walkway Assembly, 10' (Option)



### Walkway Assembly, 10' BOM

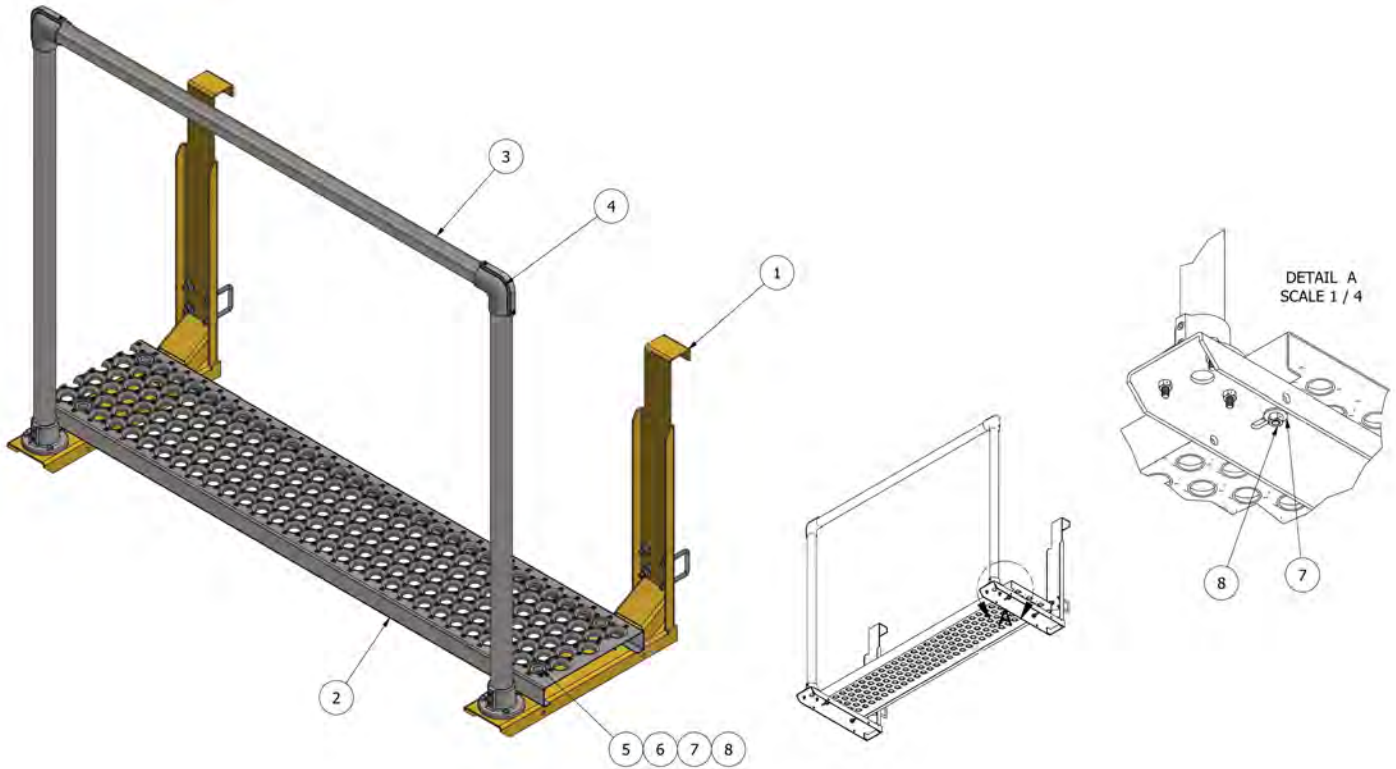
WALKWAY ASSEMBLY, 10' PARTS LIST (780-310)			
ITEM	QTY	PART NUMBER	DESCRIPTION
1	1	780-310.1	WALKWAY, 10' ASSEMBLY
2	2	780-305.3	WALKWAY, BALLAST ASSEMBLY, 5'





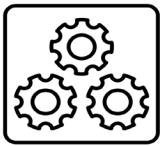
PARTS

### Walkway, 5' (Option)



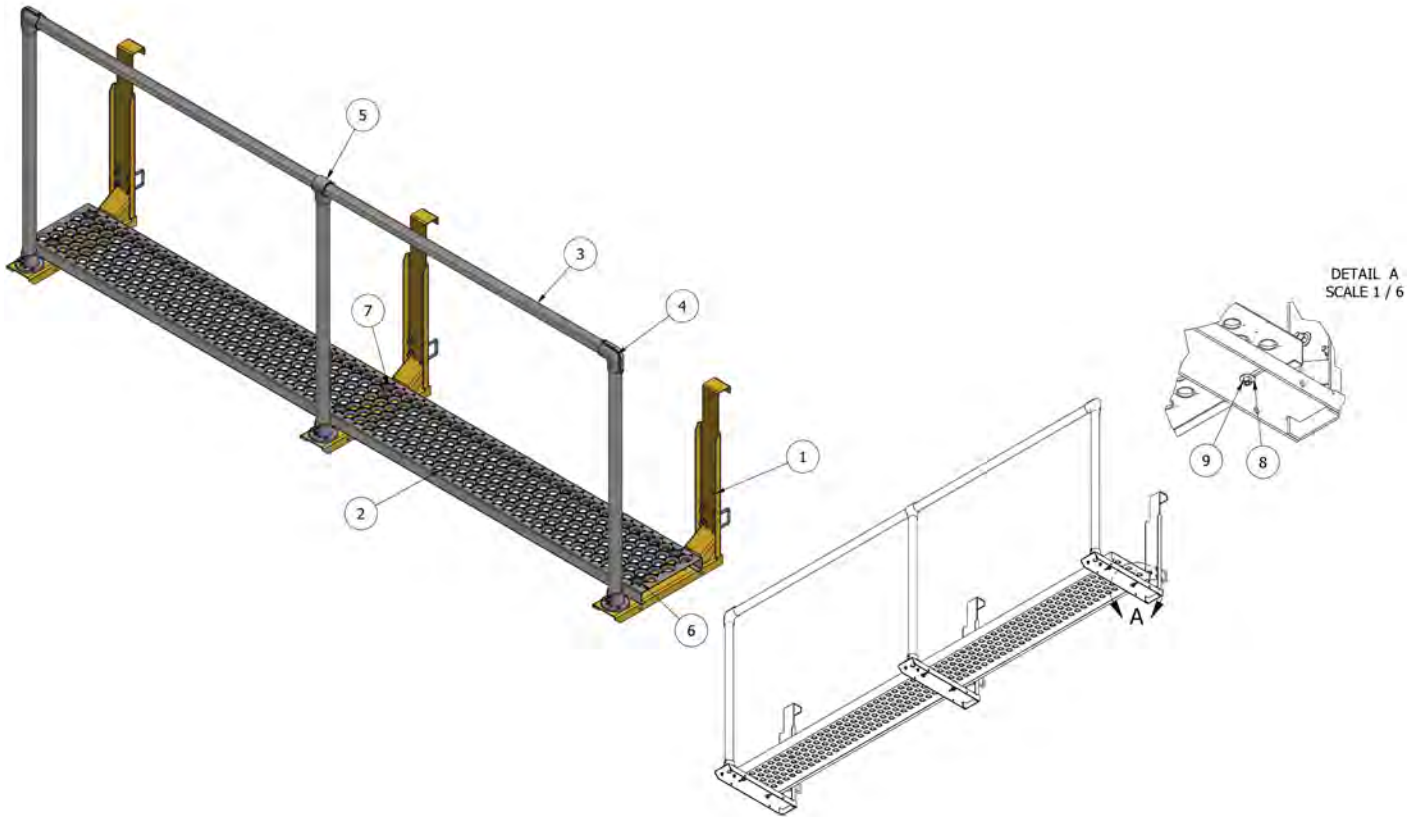
### Walkway, 5' BOM

WALKWAY, 5' PARTS LIST (780-305.1)			
ITEM	QTY	PART NUMBER	DESCRIPTION
1	2	780-305.2	WALKWAY, BRACKET ASSEMBLY
2	1	780-347	STEEL PLANK, 12"w x 5', GALV.
3	1	041-191-FT	WALKWAY, RAIL, TOP, 5'
4	2	780-302	WALKWAY, FITTING, 90DEG ELBOW
5	4	043-012	WASHER, PLANK GRATING, 3/8" BOLT
6	4	024-498	SCREW, CARRIAGE, 3/8"-16 x 2-1/2", FULL-THREAD, GR.A, ZPS
7	4	041-138	WASHER, FLAT, 3/8" x 1" OD GP, ZPS
8	4	040-438	NUT, LOCK, 3/8"-16, GR.A, ZPS



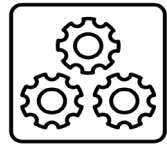
PARTS

Walkway, 10' (Option)



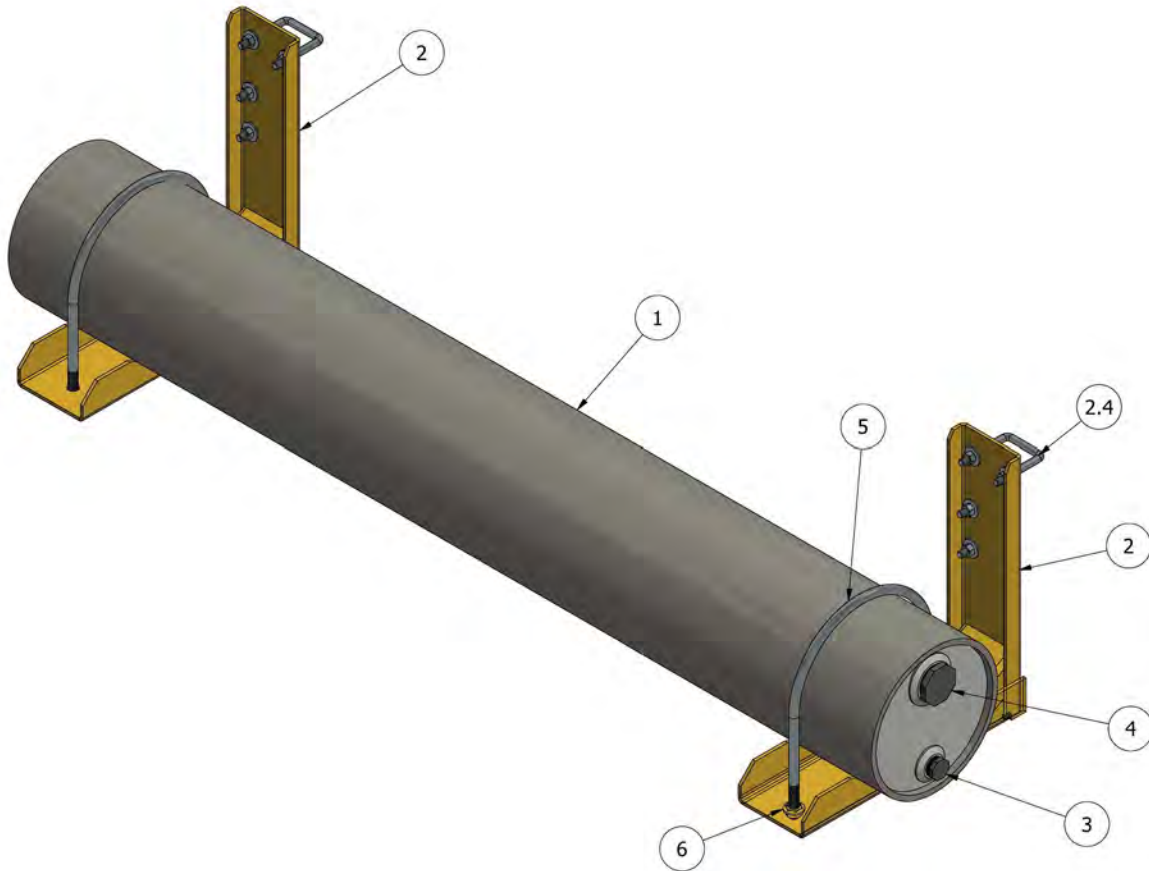
Walkway, 10' BOM

WALKWAY, 10' PARTS LIST (780-310.1)			
ITEM	QTY	PART NUMBER	DESCRIPTION
1	2	780-305.2	WALKWAY, BRACKET ASSEMBLY
2	1	780-346	STEEL PLANK, 12"w x 10', GALV.
3	1	041-191-FT	WALKWAY, RAIL, TOP, 10'
4	2	780-302	WALKWAY, FITTING, 90DEG ELBOW
5	1	780-303	WALKWAY, FITTING, TEE
6	6	043-012	WASHER, PLANK GRATING, 3/8" BOLT
7	6	024-498	SCREW, CARRIAGE, 3/8"-16 x 2-1/2", FULL-THREAD, GR.A, ZPS
8	6	041-138	WASHER, FLAT, 3/8" x 1" OD GP, ZPS
9	6	040-438	NUT, LOCK, 3/8"-16, GR.A, ZPS



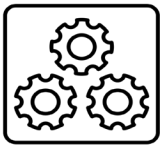
PARTS

### Walkway Ballast Assembly, 5' (Option)



### Walkway Ballast Assembly, 5' BOM

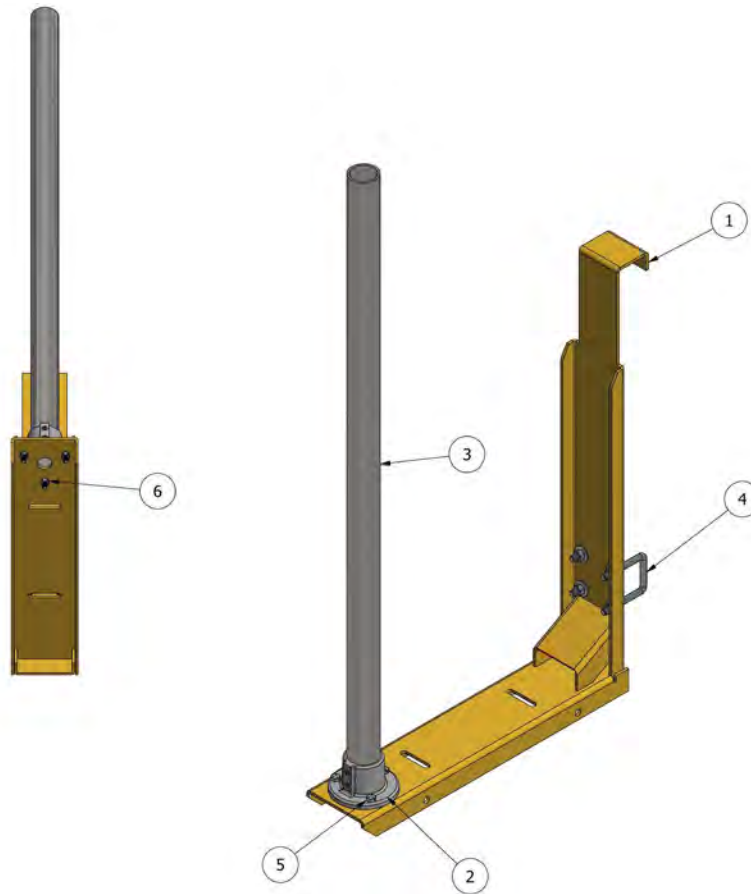
WALKWAY, BALLAST ASSEMBLY, 5' PARTS LIST (780-305.3)			
ITEM	QTY	PART NUMBER	DESCRIPTION
1	1	780-305.3.1	WALKWAY, BALLAST WELDMENT, 5'
2	2	780-305.3.2	WALKWAY, BALLAST, BRACKET WELDMENT
2.4	2	044-702	BOLT, U (SHAPED SQ-BEND W/ NUTS), 3/8"-16 x 2"(C) x 3"(L), ZPS
3	1	780-752	PIPE FITTING, CAP, EXT. HEX, 3/4" NPT
4	1	780-751	PIPE FITTING, PLUG, EXT. HEX, 1-1/2"NPT
5	2	044-151	BOLT, U (SHAPED), 1/2"-13 UNC, 9-1/4"(A) X 10-3/8"(C), ZPS
6	4	041-150	WASHER, FLAT, 1/2", ZPS



PARTS



### Walkway Bracket Assembly (Option)



### Walkway Bracket Assembly BOM

WALKWAY BRACKET ASSEMBLY PARTS LIST (780-305.2)			
ITEM	QTY	PART NUMBER	DESCRIPTION
1	1	780-305.2.1	WALKWAY, BRACKET WELDMENT
2	1	780-301	WALKWAY, BASE FLANGE, RD. ALUM.
3	1	780-305.2.3	WALKWAY, RAIL, VERTICAL, 42"
4	2	044-702	BOLT, U (SHAPED SQ-BEND W/ NUTS), 3/8"-16 x 2"(C) x 3"(L), ZPS
5	3	020-392	SCREW, CAP, HEX HEAD, 5/16"-18 x 1-1/4", GR.5, ZPS
6	3	040-431	NUT, LOCK, 5/16"-18, GR.5, ZPS