

PAVING FORMS

Highways
Airports
Streets
Intersections
Taxiways
Ramps



FORM DIVISION

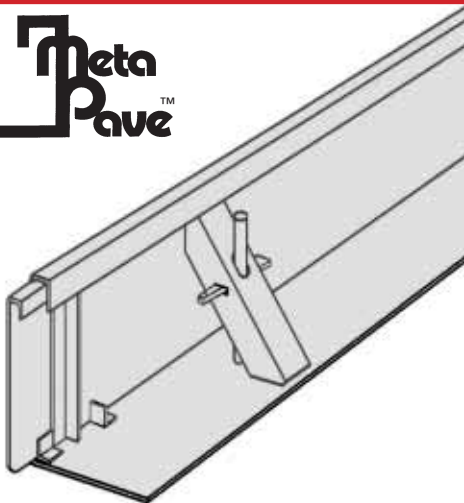


METAL FORMS CORPORATION
SINCE 1909

Form To Finish Technology™

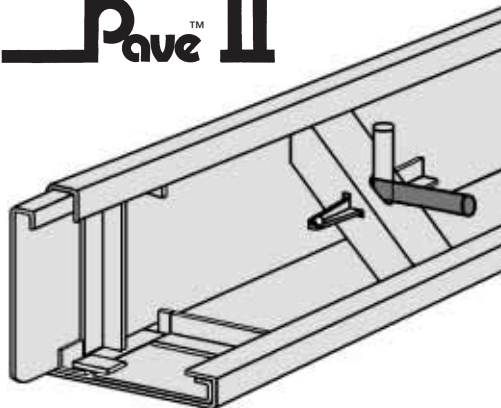
1 Source for PAVING FORMS Since 1909

3 STYLES



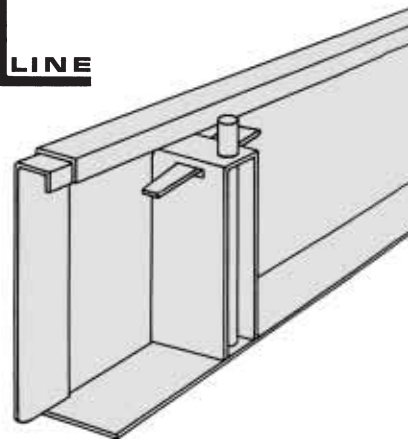
FEATURES

STAKE POCKETS (3): Channel Design
 END CONNECTION (1): Sliding Design
 HEIGHT: Up to 28"
 BASE: Same as Height (or less)
 STRENGTH: 1/4" or 3/16"



FEATURES

DUAL DUTY: 2 for 1 Form
 STAKE POCKETS (3): Channel Design
 END CONNECTIONS (2): Sliding Design
 HEIGHT/BASE: Reversible
 STRENGTH: 1/4" or 3/16"



FEATURES

STAKE POCKETS (3): Box Design
 END CONNECTION (1): Fixed Design
 HEIGHT: Up to 24"
 BASE: 4" to 8"
 STRENGTH: 3/16" or 1/8"

3 STRENGTHS		OPTIONS
1/4"	Meets strict paving specifications and supports heavy-duty paving equipment	Reinforcing Gussets Turned-Up Base Flange Double Wedge Stake Pockets Extra Stake Pockets Dowel Bar Punching Dowel Bar Support Assemblies Keyway Attachment Riser Form Attachment
3/16"	Supports deck finishers, roller screeds and lightweight paving equipment	
1/8"	Supports lightweight screeding and finishing equipment	

MATCHING FORMS TO PAVEMENTS: A JOB for EXPERTS

MFC has the experience and reputation for designing and manufacturing the right form for all types of concrete paving applications.

Our customer service team has more than 150 years of experience in the concrete paving industry. We have designed forms for highway, airport, street and related paving projects throughout the world.

Contact the experienced MFC staff for paving form advice and quotations.



FORM DIVISION



STAKE DIVISION



METAL FORMS CORPORATION
 SINCE 1909



PLASTIC DIVISION EQUIPMENT DIVISION



3334 NORTH BOOTH STREET, MILWAUKEE, WISCONSIN 53212 U.S.A. • TEL: 414 • 964 • 4550 FAX: 414 • 964 • 4503

EMAIL: mel@metalforms.com • WEB: www.metalforms.com