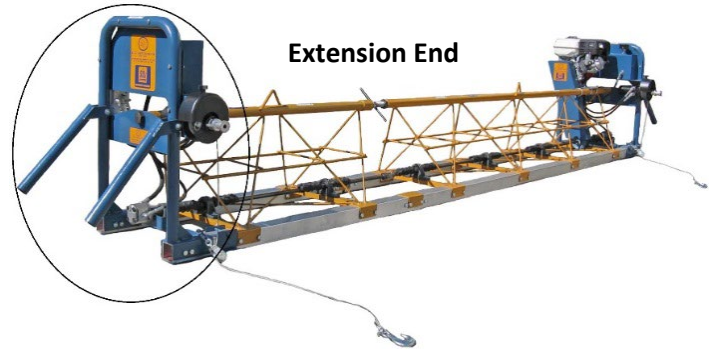
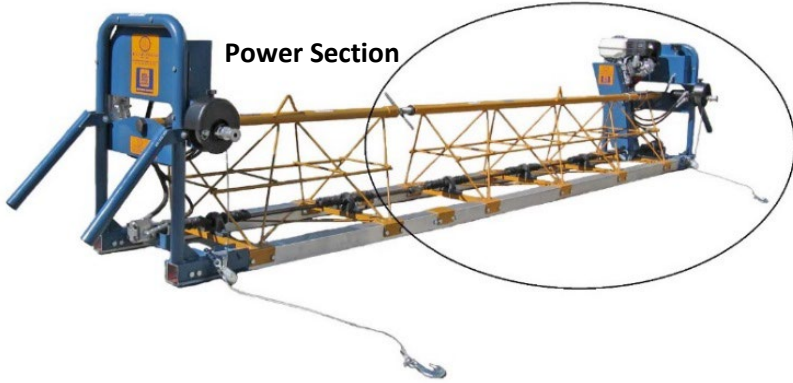


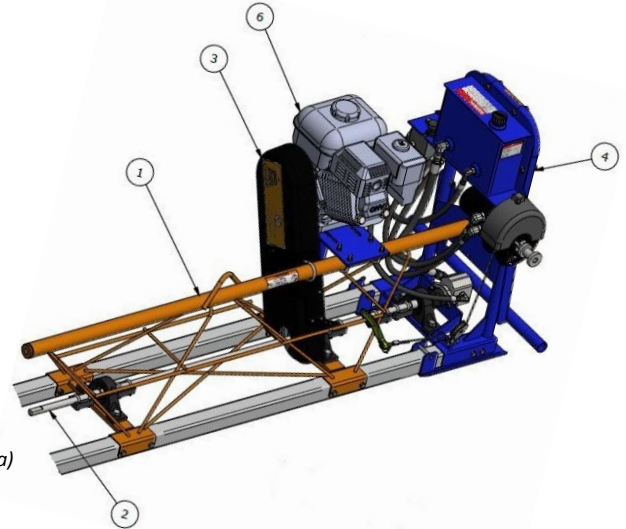
SPEED SCREED® CRUISER



PARTS BREAKDOWN

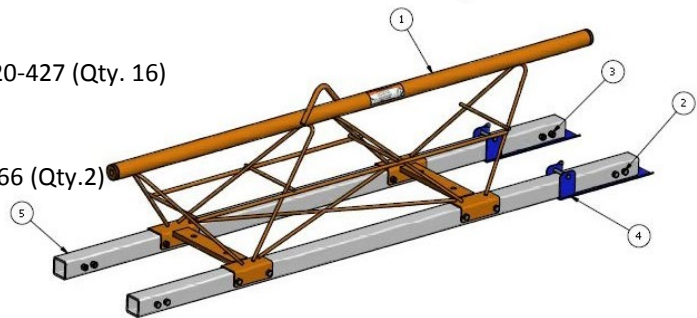
POWER SECTION

1. Power section assembly Part: 280-204
2. Drive shaft assembly – Part: 280-227
3. Engine mounting kit – Part: 280-230 (see page 2.)
4. End frame assembly, Hyd. – Part: 280-238 (see page 2.)
6. Honda Engine GX 240 (Replacement only available direct with Honda)



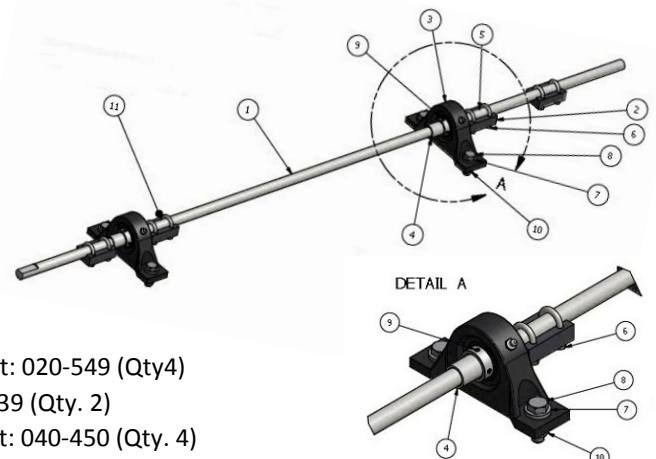
► Power Section Assembly – Part: 280-204 - Parts Breakdown

1. Power frame weldment (5.6') – Part: 280-82
2. Screw Cap Hex Head, 3/8"-16 UNC x 2-3/4", ZPS – Part: 020-427 (Qty. 16)
3. Nut, Lock – 3/8"-16 UNC, ZPS – Part: 040-438 (Qty. 16)
4. Ski Assembly – Part: 280-99 (Qty. 2)
5. Aluminum tube, Square 2"x2"x3/16"x66" – Part: 019-322-66 (Qty.2)



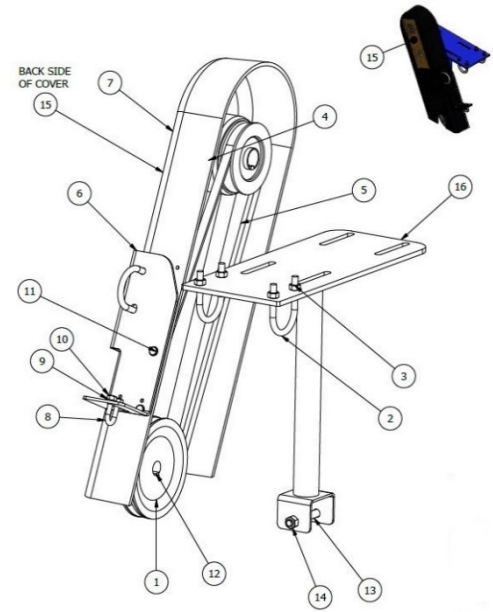
► Drive Shaft Assembly – Part: 280-227 – Parts Breakdown

1. Main shaft – 5.6' – Part: 580-24
2. Eccentric Weight – Part: 580-74 (Qty. 4)
3. Bearings – Part: 580-44 (Qty. 2)
4. Bearing Spacer – Part: 580-75 (Qty. 2)
5. Bolt, U Shaped, 1/4"-20 UNC, ZPS – Part: 044-109
6. Nut, Lock, -1/4"-20 UNC, ZPS – Part: 040-425 (Qty. 16)
7. Washer, Flat, 1/2" ZPS – Part: 041-150 (Qty. 4)
8. Screw, Cap, Hex Head, 1/2"-13 UNC x 1-1/2", FT, GR2, ZPS – Part: 020-549 (Qty.4)
9. Screw, Set, Socket Head, 1/4"-28 UNC X 3/8", BHS – Part: 028-239 (Qty. 2)
10. Nut, Lock – 1/2" UNC, ZPS – Part: Nut, Lock – 1/2" UNC, ZPS – Part: 040-450 (Qty. 4)
11. Heat Shrink tube (not shown) Part: 580-304 (Qty.4)



► **Engine mounting kit – Part: 280-230**

1. Sheave, Single Groove, ¾" Dia. – Part: 280-37
2. Bolt, U(Shaped), 5/16"-18 UNCS X 1-3/4" (A) X 2-11/16" (C) Part: 044136 (QTY.3)
3. Nut, Lock – 5/16"-18 UNC, ZPS – Part: 040-431 (Qty. 6)
4. Clutch, 8-13 HP, Extreme Duty, High Temp, 1" Bore, 1800 RPM – Part: 580-049
5. V Belt (B-47) – Part: 280-107
6. Belt Guard Mounting Bracket – Part: 280-427
7. Belt Guard Plastic Cover – Part: 280-372
8. Bolt- U (Shaped) ¼"-20 UNC x 1-3/16" (A) X 9/16" (C) , ZPS – Part: 044-105
9. Washer, Flat, ¼" , ZPS – Part: 041-125 (Qty. 2)
10. Nut, Lock – ¼"-20 UNC, ZPS – Part: 040-425 (Qty. 2)
11. Rivet, Dome-Head 3/16" x .126-.25 Open Eye, Aluminum – Part: 047-216 (Qty. 6)
12. Key, 3/16" SQ x 2.00" LG – Part: 046-850
13. Screw, Cap, Hex Head, 3/8"-16UNC, ZPS – Part: 020-427
14. Nut, Lock – 3/8" -16 UNC, ZPS – Part: 040-438
15. Decal" 3.25"x 10" Speed SCR Logo – Part: 580-818
16. Engine Mount Assembly, 8 HP – Part: 280-98
17. Oil, SAE 10W-30, 1 Quart – Part: 018-001



► **End Frame Assembly Hydraulic**

► **Engine End– Part: 280-238**

2. Lift Handle Weldment - Part Number: 280-439
7. **Winch Shaft**, Quick Release - Part Number: 580-301 (page 4)
9. Knob, Quick Release Winch - Part Number: 580-135
25. Swivel Eye Block - 2" Sheave - Part Number: 580-48
34. Hyd. Winch Bracket Cable Keeper (Round) - Part Number: 580-127
40. Cable - Aircraft 1/8" Dia. x 75' Long - Part Number: 580-180
50. Cable Crimp, Aluminum, 1/8" x 5/8", Hour Glass Sleeve - Part Number: 580-51
52. Cable Hook, 5/16" Slip w/Clevis Pin - Part Number: 580-54



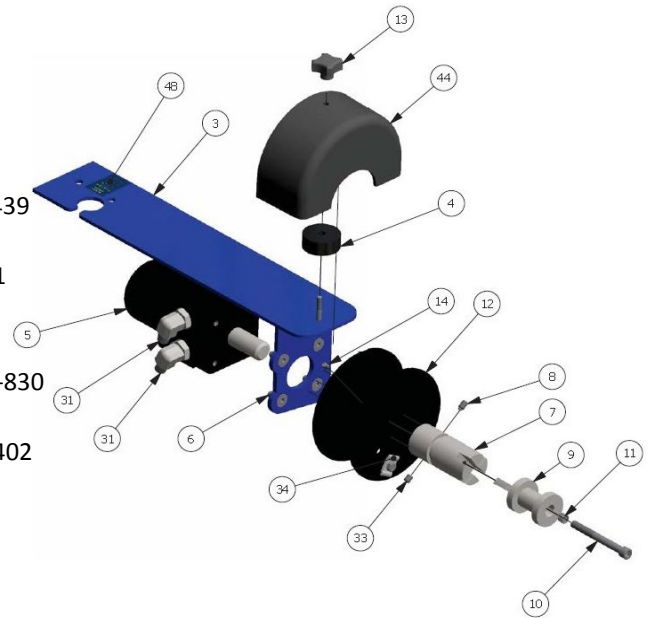
► **Extension End– Part: 280-239**

1. Blue End Frame - Part Number: 280-081
2. Hydraulic Tank – Part Number: 280-275

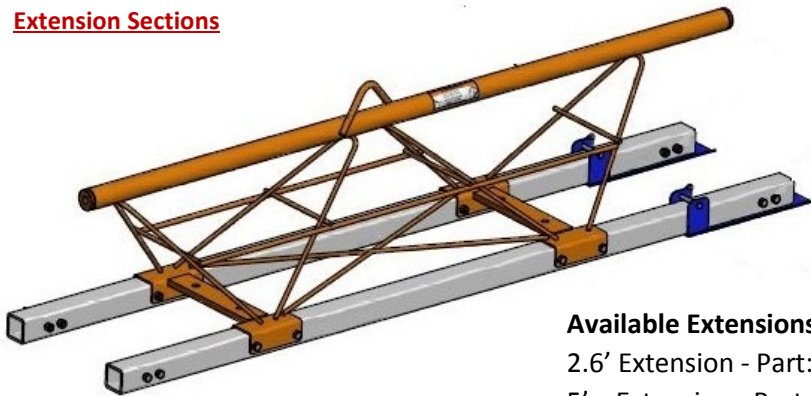


Winch Shaft, Quick Release - Part Number: 580-301

- 3. Hydraulic Assembly Weldment (Engine End) - Part: 280-274
- 4. Vibration Isolation Rubber Mount – Part: 185-715
- 5. Hydraulic Motor w/Orb-10 Inlet/Outlet – Part: 580-077
- 6. Screw, Cap, Socket Head, Flat, 3/8”-16 UNC x 7/8”O.L. BHS Part: 021-439
- 7. Winch Shaft: Quick Release – Part: 580-301
- 8. Screw, Set, Socket Head, 5/16”-18 UNC X 1/2” Dog Point – Part: 028-351
- 9. Knob: Quick Release Winch
- 10. Screw, Cap, Socket Head, 3/8”-16 UNC x 3-3/4” Part: 021-431
- 11. Spring Compression, 7/16” O.D. x .035 Wire x 1-1/2” O.L. – Part: 048-830
- 12. Spool Weldment – Part: 580-305
- 13. Knob, Clamping – 4 Arm w/ taped insert – Plastic, 1/4”-20 – Part: 025-402
- 14. Screw, Set, Socket Head, 1/4”-28 UNF x 3/8” BHS – Part: 028-239
- 31. Elbow, 90 Deg. ORB-10 Male to JIC-6 Male – Part: 580-111 (Qty 2)
- 33. Screw, Set, Socket Head, 5/16”-18 UNC x 3/8” BHS – Part: 028-338
- 34. Hyd. Winch Bracket Cable Keeper (Round) Part: 580-127
- 44. Cable Guard, Hydraulic Winch – Part: 580-137
- 48. Decal: Winch Knob Direction – Part: 580-919



Extension Sections



Available Extensions (All lengths available to affix end frame)

- 2.6’ Extension - Part: 280-200
- 5’ Extension - Part: 280-201
- 10’ Extension - Part: 280-202

*Power section only available with 5.6’ extension

- 1. Available engines and winching options for 5.6’ Power Section
 - a. **5.5 h.p.**
 - i. Hand Winching – Part Number: 280-204-3
 - ii. 1 Side Hand Winching – Part Number: 280-204-4
 - b. **8 h.p.**
 - i. Hand Winching – Part Number: 280-204-8
 - ii. 1 Side Hand Winching– Part Number: 280-204-9
 - iii. Hydraulic Winching – Part Number: 280-204-10