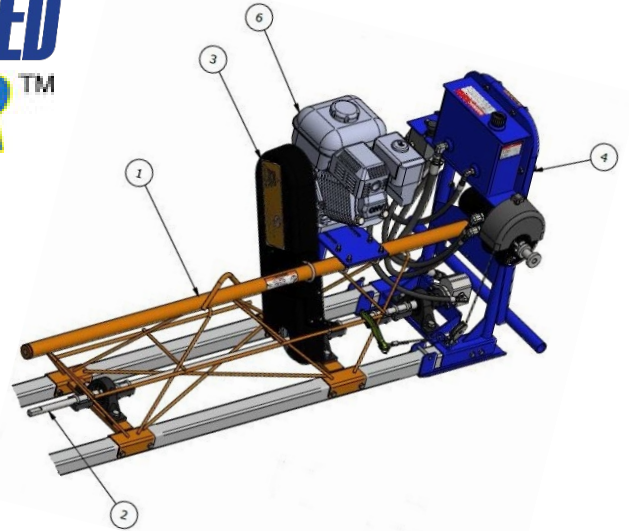


SPEED SCREED® CRUISER™

PARTS BREAKDOWN

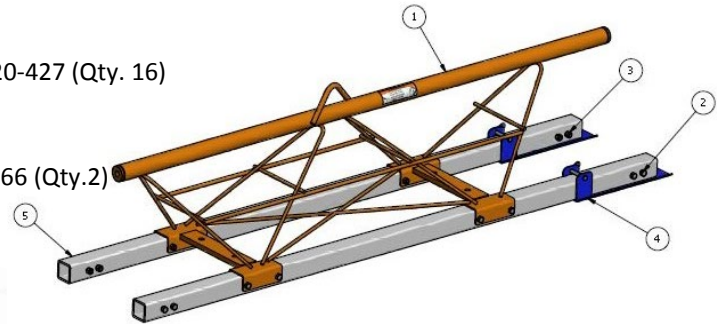
POWER SECTION

1. Power Section Assembly Part: 280-204
2. Drive Shaft Assembly – Part: 280-227
3. Engine Mount Assembly – Part: 280-98/280-089 (page 2)
4. End Frame Assembly, Hyd. – Part: 280-238 (page 2)
6. Honda Engine GX 240 (Replacement only available direct with Honda)



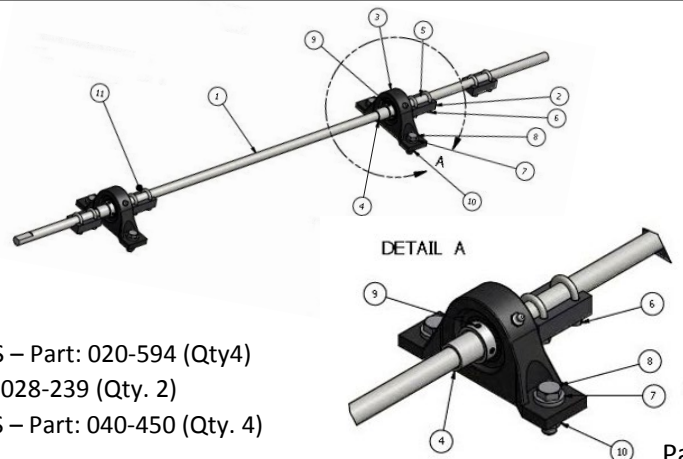
Power Section Assembly – Part: 280-204

1. Power Frame Weldment (5.6') – Part: 280-82
2. Screw Cap Hex Head, 3/8"-16 UNC x 2-3/4", ZPS – Part: 020-427 (Qty. 16)
3. Nut, Lock – 3/8"-16 UNC, ZPS – Part: 040-438 (Qty. 16)
4. Ski Assembly – Part: 280-99 (Qty. 2)
5. Aluminum Tube, Square 2"x2"x3/16"x66" – Part: 019-322-66 (Qty.2)



Drive Shaft Assembly – Part: 280-227

1. Main Shaft – 5.6' – Part: 580-24
2. Eccentric Weight – Part: 580-74 (Qty. 4)
3. Bearings – Part: 580-44 (Qty. 2)
4. Bearing Spacer – Part: 580-75 (Qty. 2)
5. Bolt, U Shaped, 1/4"-20 UNC, ZPS – Part: 044-109
6. Nut, Lock, -1/4"-20 UNC, ZPS – Part: 040-425 (Qty. 16)
7. Washer, Flat, 1/2" ZPS – Part: 041-150 (Qty. 4)
8. Screw, Cap, Hex Head, 1/2"-13 UNC x 1-1/2", FT, GR2, ZPS – Part: 020-594 (Qty.4)
9. Screw, Set, Socket Head, 1/4"-28 UNC X 3/8", BHS – Part: 028-239 (Qty. 2)
10. Nut, Lock – 1/2" UNC, ZPS – Part: Nut, Lock – 1/2" UNC, ZPS – Part: 040-450 (Qty. 4)
11. Heat Shrink Tube (not shown) Part: 580-304 (Qty.4)



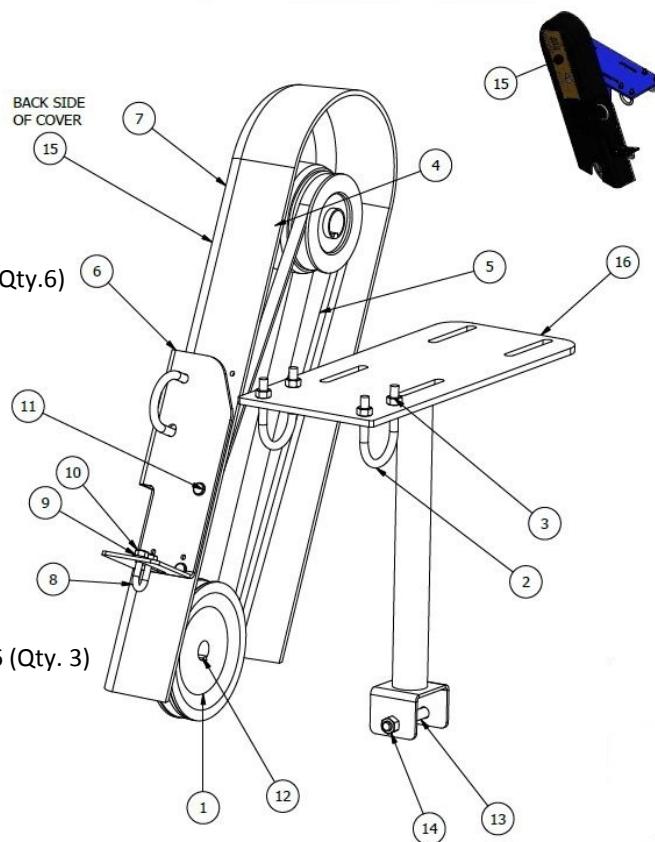


→ **Engine Mount Assembly, 5 hp. & 8 hp.**

(All below listed components can be ordered as a kit or individually)

→ **5 hp. Engine Mounting Kit – Part: 280-229**

1. Sheave, Single Groove, 3/4" Dia. – Part: 280-37
2. Bolt, U Shaped, 5/16"-18 UNCS x 1-3/4" (A) x 2-11-16" (C) Part: 044-136 (Qty. 3)
3. Nut, Lock- 5/16"-18 UNC ZPS – Part: 040-431 (Qty. 6)
4. Clutch 5hp Assembly Part: 280-52
5. V-Belt (B-44) 5hp Part: 580-53
6. Belt-Guard Mounting Bracket Part: 280-427
7. Belt-Guard Plastic Cover Part: 280-372
8. Bolt, U Shaped, 1/4"-20 UNC x 1-3/16"(A) x 9/16" (C), ZPS Part: 044-105
9. Washer, Flat, 1/4, ZPS Part: 041-125 (Qty. 2)
10. Nut, Lock- 1/4"-20 UNC, ZPS Part: 040-425 (Qty. 2)
11. Rivet, Dome-Head 3/16" x .126-.25 Open Eye Aluminum Part: 047-216 (Qty.6)
12. Key, 3/16" SQ x 2.00" LG Part: 046-850
13. Screw, Cap, Hex Head, 3/8"-16 UNC , ZPS Part: 020-427
14. Nut, Lock – 3/8"-16 UNC ZPS Part: 040-438
15. Engine Mount Assembly, 5hp Part: 280-089



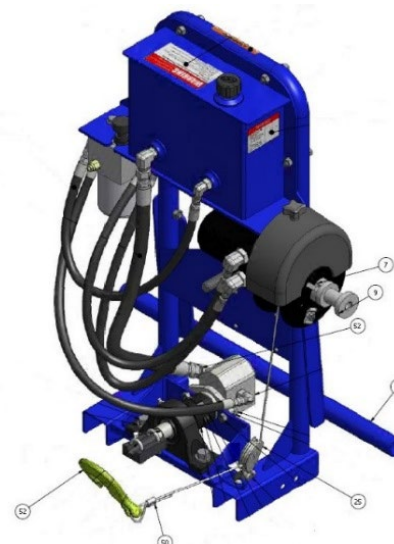
→ **8 hp. Engine Mounting Kit – Part: 280-230**

1. Sheave, Single Groove, 3/4" Dia. – Part: 280-37
2. Bolt, U Shaped, 5/16"-18 UNCS x 1-3/4" (A) x 2-11-16" (C) part: 044-136 (Qty. 3)
3. Nut, Lock- 5/16"-18 UNC ZPS – Part: 040-431 (Qty. 6)
4. Clutch 8hp Assembly Part: 580-049
5. V-Belt (B-47) 5hp Part: 280-107
6. Belt-Guard Mounting Bracket Part: 280-427
7. Belt-Guard Plastic Cover Part: 280-372
8. Bolt, U Shaped, 1/4"-20 UNC x 1-3/16"(A) x 9/16" (C), ZPS Part: 044-105
9. Washer, Flat, 1/4, ZPS Part: 041-125 (Qty. 2)
10. Nut, Lock- 1/4"-20 UNC, ZPS Part: 040-425 (Qty. 2)
11. Rivet, Dome-Head 3/16" x .126-.25 Open Eye Aluminum Part: 047-216 (Qty. 6)
12. Key, 3/16" SQ x 2.00" LG Part: 046-850
13. Screw, Cap, Hex Head, 3/8"-16 UNC , ZPS Part: 020-427
14. Nut, Lock – 3/8"-16 UNC ZPS part: 040-438
15. Engine Mount Assembly, 8hp Part: 280-98

→ **End Frame Assembly Hydraulic**

→ **Engine End– Part: 280-238**

2. Lift Handle Weldment - Part: 280-439
7. **Winch Shaft**, Quick Release - Part: 580-301 (page 4)
9. Knob, Quick Release Winch - Part: 580-135
25. Swivel Eye Block - 2" Sheave - Part: 580-48
34. Hyd. Winch Bracket Cable Keeper (Round) - Part: 580-127
40. Cable - Aircraft 1/8" Dia. x 75' Long - Part: 580-180
50. Cable Crimp, Aluminum, 1/8" x 5/8", Hour Glass Sleeve - Part: 580-51
52. Cable Hook, 5/16" Slip w/Clevis Pin - Part: 580-54





METAL FORMS CORPORATION
SINCE 1909

**SPEED
SCREED** CRUISER™

► **Extension End- Part: 280-239**

1. Blue End Frame - Part: 280-081
2. Hydraulic Tank – Part: 280-275



► **Winch Shaft, Quick Release - Part: 580-301**

3. Hydraulic Assembly Weldment (Engine End) - Part: 280-274
4. Vibration Isolation Rubber Mount – Part: 185-715
5. Hydraulic Motor w/ORB-10 Inlet/Outlet – Part: 580-077
6. Screw, Cap, Socket Head, Flat, 3/8"-16 UNC x 7/8" O.L. BHS Part: 021-439
7. Winch Shaft: Quick Release – Part: 580-301
8. Screw, Set, Socket Head, 5/16"-18 UNC X 1/2" Dog Point – Part: 028-351
9. Knob: Quick Release Winch
10. Screw, Cap, Socket Head, 3/8"-16 UNC x 3-3/4" Part: 021-431
11. Spring Compression, 7/16" O.D. x .035 Wire x 1-1/2" O.L. – Part: 048-830
12. Spool Weldment – Part: 580-305
13. Knob, Clamping – 4 Arm w/ taped insert – Plastic, 1/4"-20 – Part: 025-402
14. Screw, Set, Socket Head, 1/4"-28 UNF x 3/8" BHS – Part: 028-239
31. Elbow, 90 Deg. ORB-10 Male to JIC-6 Male – Part: 580-111 (Qty. 2)
33. Screw, Set, Socket Head, 5/16"-18 UNC x 3/8" BHS – Part: 028-338
34. Hyd. Winch Bracket Cable Keeper (Round) Part: 580-127
44. Cable Guard, Hydraulic Winch – Part: 580-137
48. Decal: Winch Knob Direction – Part: 580-919

