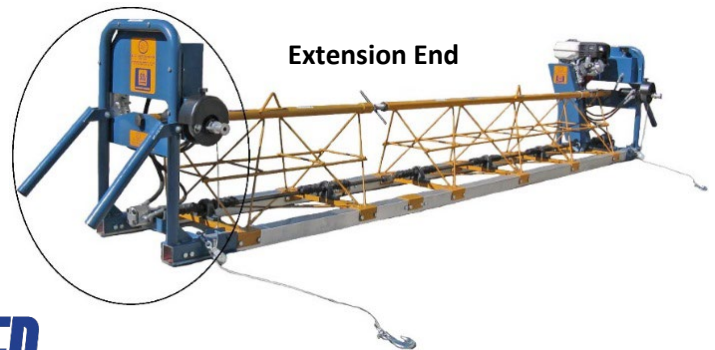


Power Section



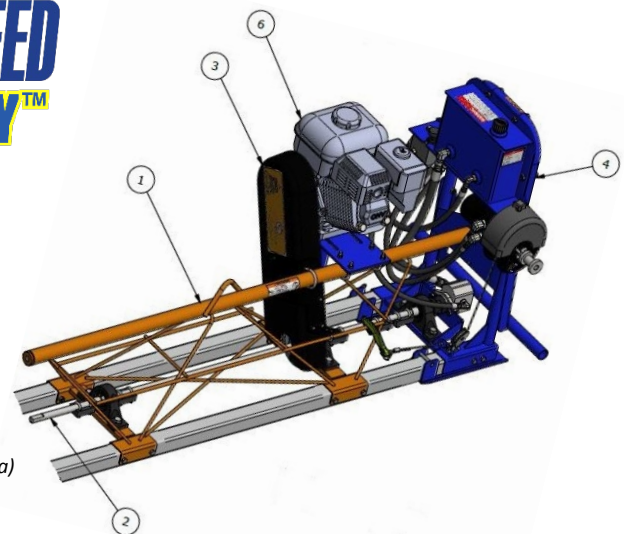
Extension End

SPEED SCREED® HEAVY DUTY™

PARTS BREAKDOWN

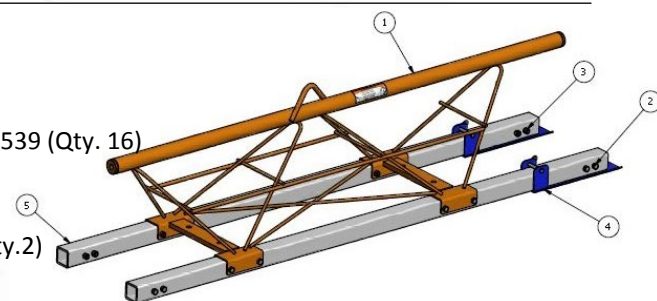
POWER SECTION

1. Power Section Assembly Part: 580-204
2. Drive Shaft Assembly – Part: 580-227
3. Engine Mount Assembly – Part: 580-98 (page 2)
4. End Frame Assembly, Hyd. – Part: 280-238 (page 2)
6. Honda Engine GX 240 (Replacement only available direct with Honda)



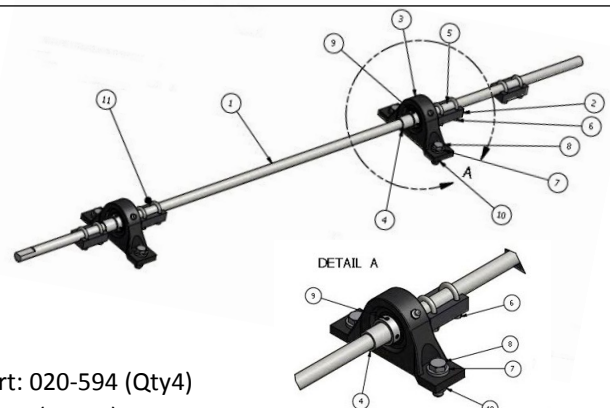
Power Section Assembly – Part: 580-204

1. Power Frame Weldment (5.6') – Part: 580-82
2. Screw Cap Hex Head, 1/2"-13 UNC x 3-3/4", PT ZPS – Part: 020-539 (Qty. 16)
3. Nut, Lock – 1/2"-13 UNC, ZPS – Part: 040-450 (Qty. 16)
4. Ski Assembly – Part: 580-99 (Qty. 2)
5. Aluminum Tube, Square 3"x3"x 1/4"x66" – Part: 019-433-FT (Qty.2)



Drive Shaft Assembly – Part: 580-227

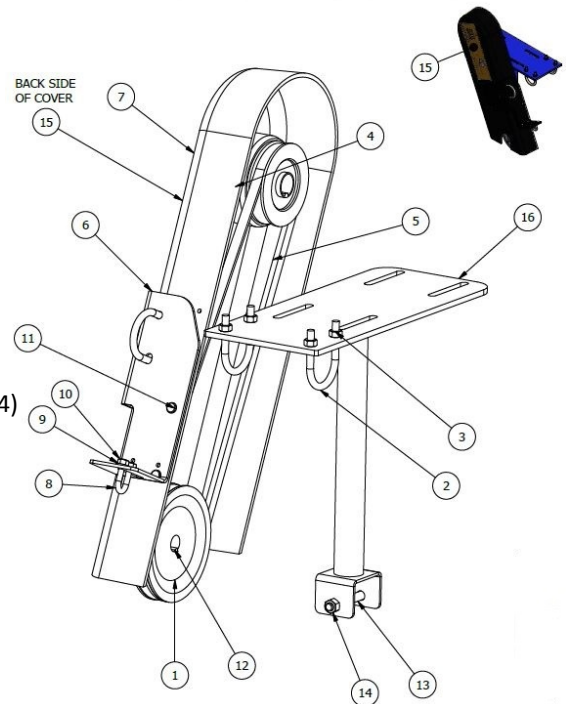
1. Main Shaft – 5.6' – Part: 580-24
2. Eccentric Weight – Part: 580-74 (Qty. 6)
3. Bearings – Part: 580-44 (Qty. 2)
4. Bearing Spacer – Part: 580-75 (Qty. 2)
5. Bolt, U Shaped, 1/4"-20 UNC, ZPS – Part: 044-109 (Qty. 12)
6. Nut, Lock, -1/4"-20 UNC, ZPS – Part: 040-425 (Qty. 25)
7. Washer, Flat, 1/2" ZPS – Part: 041-150 (Qty. 4)
8. Screw, Cap, Hex Head, 1/2"-13 UNC x 1-1/2", FT, GR2, ZPS – Part: 020-594 (Qty.4)
9. Screw, Set, Socket Head, 1/4"-28 UNC X 3/8", BHS – Part: 028-239 (Qty. 2)
10. Nut, Lock – 1/2" UNC, ZPS – Part: Nut, Lock – 1/2" UNC, ZPS – Part: 040-450 (Qty. 4)
11. Heat Shrink Tube (not shown) Part: 580-304 (Qty.6)



► **Engine Mounting Kit – Part: 580-209**

(All below listed components can be ordered as a kit or individually.)

1. Bolt, U-Shaped, ¼"-20 UNC Part: 044-105 (Qty. 2)
2. Bolt, U-Shaped, 3/8"-16 UNC Part: 044-138 (Qty. 3)
3. Clutch, 8-13hp., Extreme Duty Part: 580-049
4. Pipe, 1-1/2" Nominal A500 580 LW Part: 014-190-FT
5. V-Belt (B-58) for all HD models Part: 580-174
6. Belt-Guard Plastic cover Part: 580-174
7. Engine Mount Assembly Part: 580-98
8. Key. 3/16" SQ x 2.00" Long Part: 046-850
9. Nut Lock ¼"-20 UNC ZPS Part: 040-125 (Qty. 6)
10. Nut Lock 3/8"-16 UNC ZPS Part: 040-438 (Qty. 10)
11. Nut Lock ½"-13 UNCS ZPS Part: 040-450
12. Screw, Cap Hex Head 3/8"-16 UNC X 1-3/4" GRZ Part: 020-493 (Qty. 4)
13. Screw, Cap, Hex Head ½"-13 UNC 3-3/4" PT ZPS Part: 020-539
14. Sheave, Single Grove ¾" Part: 280-37
15. Washer Flat 5/16" ZPS Part: 041-131 (Qty. 8)
16. Washer, Lock, Split (spring) ¼" ZPS Part: 042-125 (Qty. 4)



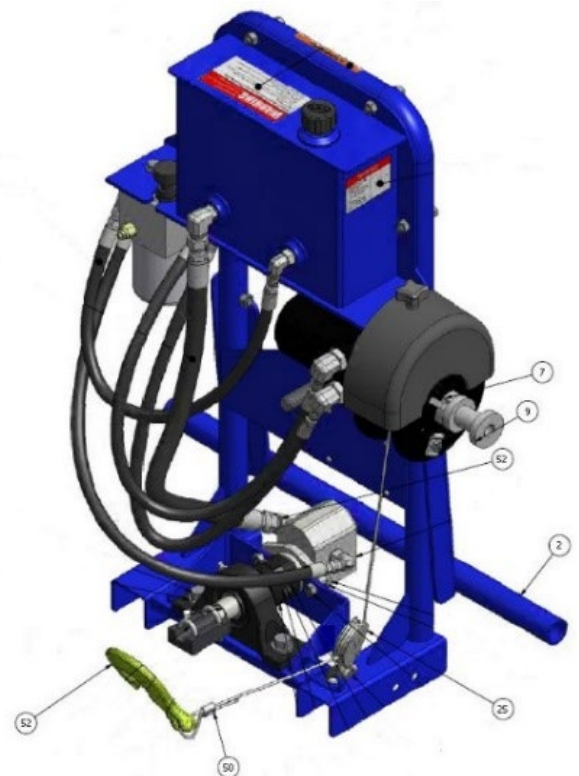
► **End Frame Assembly / Hydraulic**

► **Engine End– Part: 580-238**

2. Lift Handle Weldment - Part: 580-240 (Qty. 2)
7. **Winch Shaft**, Quick Release - Part: 580-301
9. Knob, Quick Release Winch - Part: 580-135
25. Swivel Eye Block - 2" Sheave - Part: 580-48
34. Hyd. Winch Bracket Cable Keeper (Round) - Part: 580-127
40. Cable - Aircraft 1/8" Dia. x 75' Long - Part: 580-180
50. Cable Crimp, Aluminum, 1/8" x 5/8", Hour Glass Sleeve - Part: 580-51
52. Cable Hook, 5/16" Slip w/Clevis Pin - Part: 580-54

► **Extension End– Part: 580-239**

1. Blue End Frame - Part: 580-081
2. Hydraulic Tank – Part: 580-156



Winch Shaft, Quick Release - Part: 580-301

- 3. Hydraulic Assembly Weldment (Engine End) - Part: 280-274
- 4. Vibration Isolation Rubber Mount – Part: 185-715
- 5. Hydraulic Motor w/Orb-10 Inlet/Outlet – Part: 580-077
- 6. Screw, Cap, Socket Head, Flat, 3/8”-16 UNC x 7/8”O.L. BHS Part: 021-439
- 7. Winch Shaft: Quick Release – Part: 580-301
- 8. Screw, Set, Socket Head, 5/16”-18 UNC X 1/2” Dog Point – Part: 028-351
- 9. Knob: Quick Release Winch
- 10. Screw, Cap, Socket Head, 3/8”-16 UNC x 3-3/4” Part: 021-431
- 11. Spring Compression, 7/16” O.D. x .035 Wire x 1-1/2” O.L. – Part: 048-830
- 12. Spool Weldment – Part: 580-305
- 13. Knob, Clamping – 4 Arm w/ taped insert – Plastic, 1/4”-20 – Part: 025-402
- 14. Screw, Set, Socket Head, 1/4”-28 UNF x 3/8” BHS – Part: 028-239
- 31. Elbow, 90 Deg. ORB-10 Male to JIC-6 Male – Part: 580-111 (Qty. 2)
- 33. Screw, Set, Socket Head, 5/16”-18 UNC x 3/8” BHS – Part: 028-338
- 34. Hyd. Winch Bracket Cable Keeper (Round) Part: 580-127
- 44. Cable Guard, Hydraulic Winch – Part: 580-137
- 48. Decal: Winch Knob Direction – Part: 580-919

