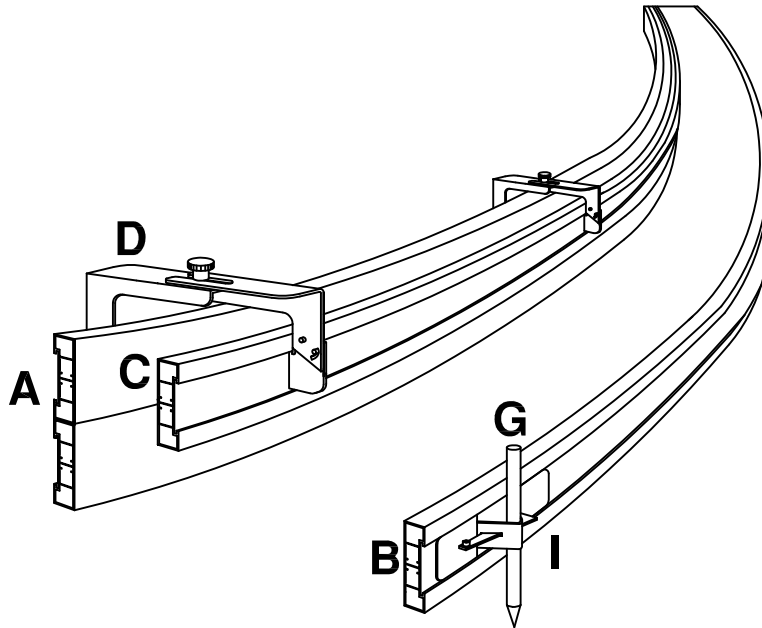


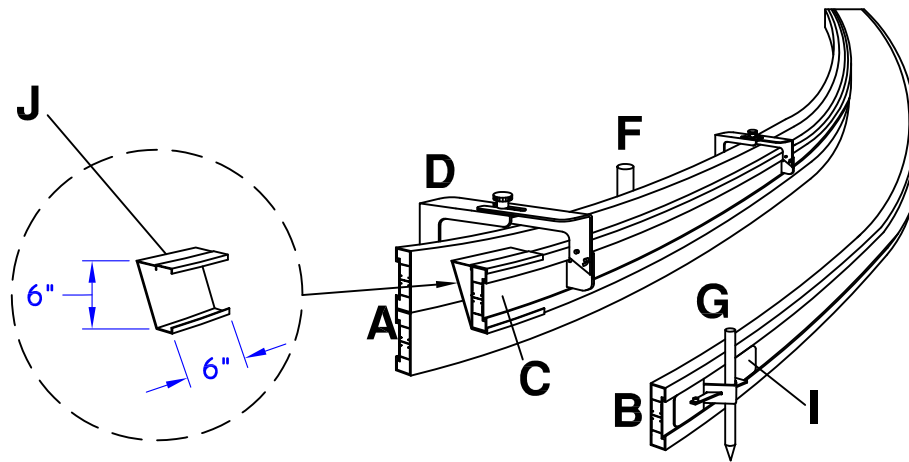
## 8.0 Curb & Gutter Bill of Materials

SETUP FOR STRAIGHT OR RADIUS  
Overhead Hanger - with Poly Face



ITEM	DESCRIPTION	RECOMMENDED QUANTITIES
A	Back Curb Form, 12" Poly (requires (2) 6" Poly forms stacked on top of each other) 6" Poly Form	(2)
B	Front Gutter Form, 6" Poly	(1)
C	Curb Face Form, 6" Poly	(1)
D	Overhead Hanger Unit	(5)
E	*Twist Stake Pocket	(3)
F	*Nail Stake (3/4 x 30)	(5)
G	Nail Stake (3/4 x 18)	(4)
H	*Stacking Pocket (6"+6")	(5)
I	Slide Pocket	(1)
	*Items Not Shown	Note: a total of (4) 6" Poly Forms are required

**RECOMMENDED QUANTITIES**  
Overhead Hanger - with Steel Batter Plates



24 BATTER PLATES  
PER 12-FOOT FORM.

ITEM	DESCRIPTION	RECOMMENDED QUANTITIES
A	Back Curb Form, 12" Poly (requires (2) 6" Poly forms stacked on top of each other) 6" Poly Form	(2)
B	Front Gutter Form, 6" Poly	(1)
C	Curb Face Form, 6" Poly	(1)
D	Overhead Hanger Unit	(5)
E	*Twist Stake Pocket	(3)
F	Nail Stake (3/4 x 30)	(5)
G	Nail Stake (3/4 x 18)	(4)
H	*Stacking Pocket (6"+6")	(5)
I	Slide Pocket	(1)
J	Batter Plate	(24)
	*Items Not Shown	Note: a total of (4) 6" Poly Forms are required