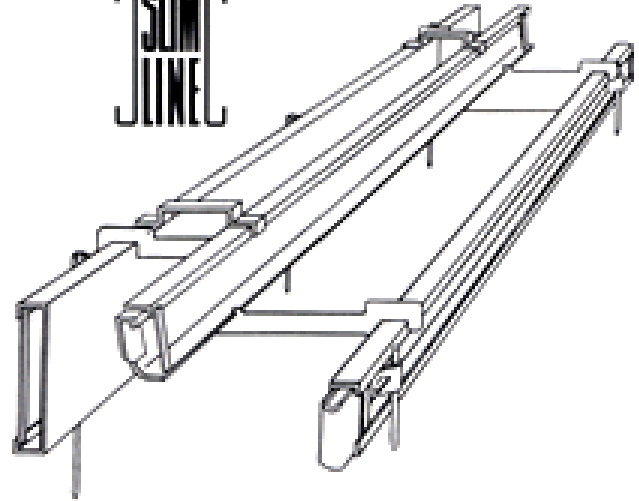


Typical Curb and Gutter Setup



SUMC®
SLIM LINE



Recommended Bill of Materials for the Typical Curb and Gutter Cross Section Illustrated

Forms and Accessories Required to Set-Up 100 feet of C+G per Above Specs

Straight Work

- 10 – 10' lengths 12" Back Slim Line Form
- 10 – 10' lengths 6" Front Slim Line Form
- 10 – 10' lengths 6" Single Radius Battered Face Form
- 11 – 6" x 12" x 24" Division Plates
- 20 – 6" Top Spacers
- 30 – 3/4" x 30" Nail Stakes
- 20 – 3/4" x 18" Nail Stakes

Radius Work

- 10 – 10' lengths 12" Back Flexible Radius Form
- 10 – 10' lengths 6" Front Flexible Radius Form
- 10 – 10' lengths 6" Flexible, Single Radius Battered Face Form
- 11 – 6" x 12" x 24" Division Plates
- 30 – Short Skeleton Division Plates
- 60 – 3/4" x 30" Nail Stakes
- 60 – 3/4" x 18" Nail Stakes

For quotes using overhead hangers, remove division plate pricing and replace with overhead hangers. Straight work curb and gutter will require two overhead hangers per 10' and radius curb and gutter will require four per 10'